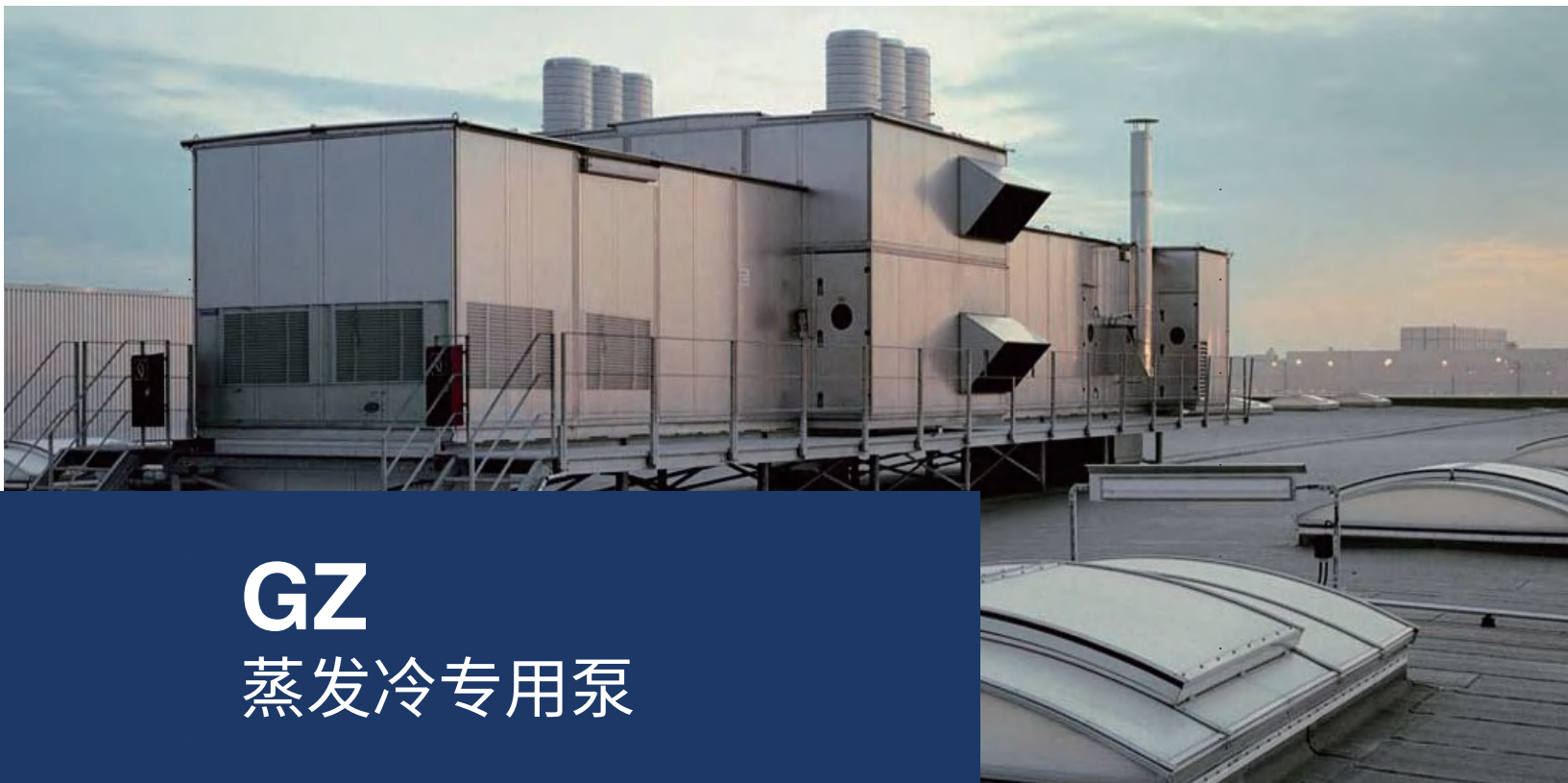




川源(中国)机械有限公司
GSD (China) Co., Ltd.



GZ

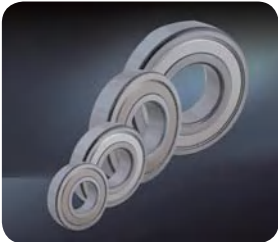
蒸发冷专用泵

GZ series evaporative cooling pump



GZ 蒸发冷专用泵

GZ series evaporative cooling pump



用途 Applications

GZ系列水泵特别适用于蒸发式冷凝器的配套，亦可用于某些大流量、低扬程的场合。

GZ series evaporative cooling pump is special applied on the evaporative condenser, it also can be used in some large flow and low head location.

特点 Features

- 叶轮采用优秀水力模型设计，具有极好的动静平衡，性能稳定。
- 泵轴为电机加长轴，同心度绝对可靠。
- 采用国际知名品牌轴承，振动小，噪音低。
- 单吸、单级卧式离心泵，采用封闭叶轮及泵体。
- 同轴直接式构造，效率高、体积小、重量轻，安装保养容易。
- 采用机械密封，不损轴心，不漏水，使用寿命长。
- 全线不过载：泵在其性能曲线上任意工作点运转时，泵消耗功率均不超过额定功率。
- 可根据客户要求采用不同材质或立式泵类型的产品。

- The optimal hydraulic model is used for impeller, the pump is of an utmost dynamic-static balance and reliable performance.
- The pump shaft is an extended one from the motor, so the concentricity is absolutely reliable.
- The pump which is supported by well-known international brands' bearing, runs at little vibration and low noise.
- Single-stage single-suction horizontal centrifugal pump; closed impeller and volute chamber are adopted.
- Coaxial volute structure, high efficiency, small volume, light weight, easy installation and maintenance.
- Mechanical seal, no damage to shaft, no leakage, long performance life.
- No overload: when pump operate on the any point of the performance curve, the consumed power of the pump will not exceed the rated power.
- Can choose other materials and products with vertical installation according to the customer's requirement.

蒸发式冷凝器原理介绍 Evaporative condenser principle

蒸发式冷凝器是利用盘管外的喷淋水部分蒸发时，吸收盘管内高温气态制冷剂的热量，而使管内的制冷剂逐渐由气态被冷却为液态。

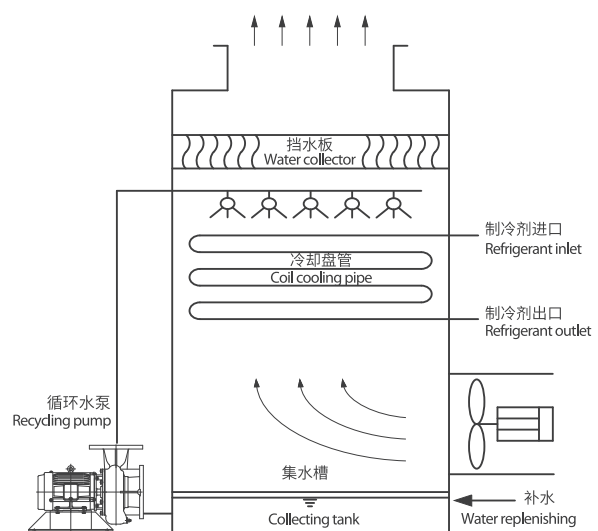
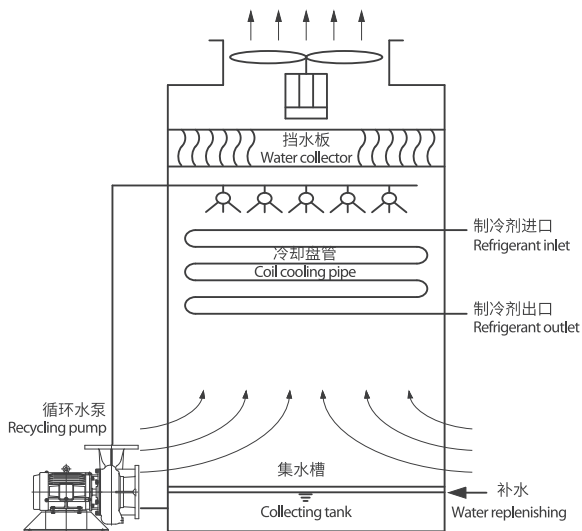
喷淋水由水泵将集水槽中的水输送到蒸发式冷凝器顶部的喷淋管，经喷嘴喷淋到冷凝排管的外表面形成很薄的水膜，水膜中部分水吸热后蒸发为水蒸气，其余落入集水槽，供水泵循环使用。

轴流风机强迫空气从顶部和侧壁下部被吸入流经盘管，填料、饱和热湿空气则被排到周围大气中，热湿空气中夹带的部分水滴通过收水器截留，有效地控制水滴飘散损失，水蒸气的飘逸率不到0.001%，散失至大气中的水蒸气在系统中由浮球阀控制补充。

Evaporative condenser is utilizing sprayed water part outside the coil pipe to absorb the heat of high temperature gaseous refrigerant inside coil pipe through evaporation to cool refrigerant inside the pipe gradually from gaseous state to liquid state.

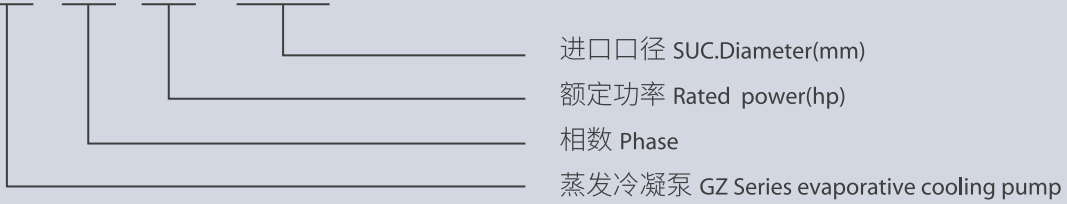
Sprayed water is conveyed by water pump from collecting tank to spraying pipe on top of evaporative condenser, and sprayed by the nozzle to exterior surface of condensing reed pipe to form a very thin water film, part water of which will be evaporated to vapor after heat absorption, the rest will fall to collecting tank for recycled use of water pump.

Axial-flow fan forces the air to be absorbed into and flow through coil pipe from the top and side wall, whereas hot wet air of feeding and saturate hot wet air are exhausted to ambient atmosphere, part water drops included in hot wet air are retained by water collector, for effective loss control of water drop scattering, thus scattering rate of vapor is less than 0.001%, vapor scattered and lost in atmosphere will be complemented through control of ball float valve in the system.



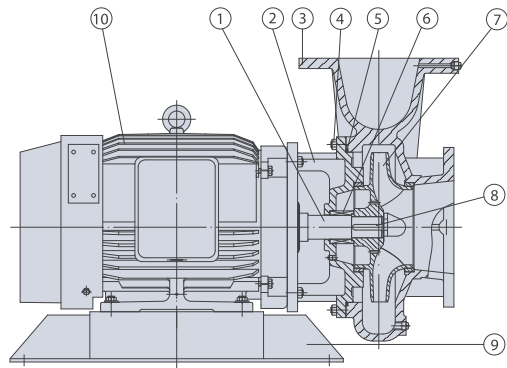
型号说明 Type description

GZ 3 10-150



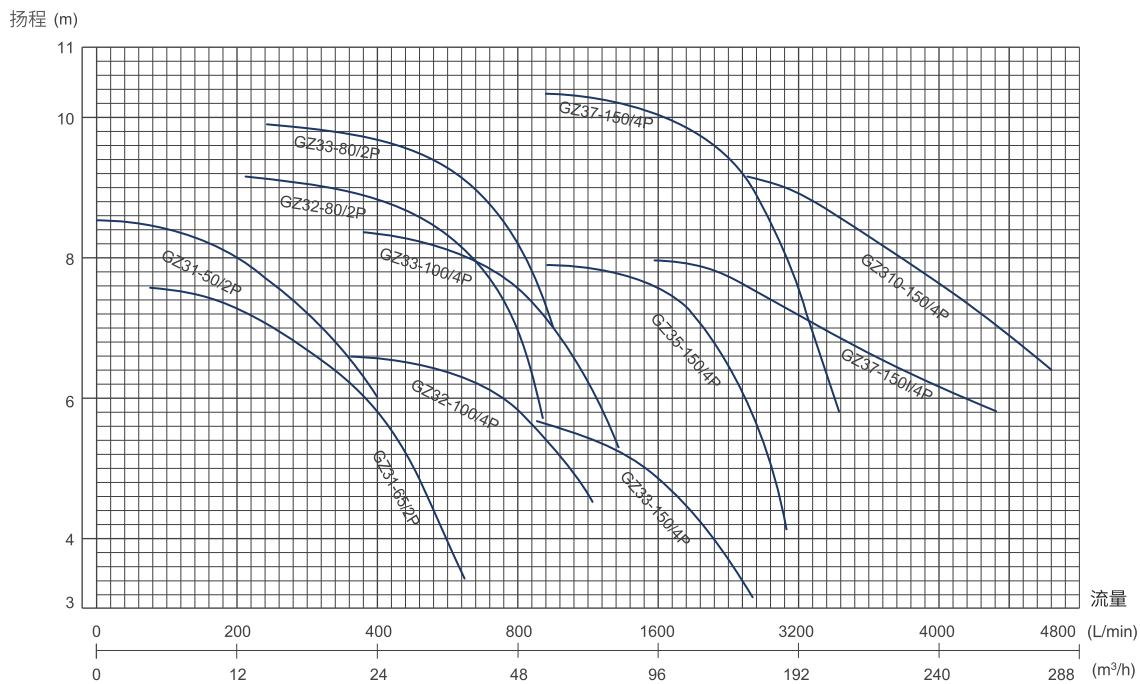
结构简图 Construction

NO	名称	Name	材质
			Material
1	主轴	Shaft	SUS410
2	中承座	Bracket	FC200
3	泵体	Pump casing	FC200
4	螺栓	Bolt	SS34
5	O型圈	O-ring	NBR
6	机械密封	Mechanical seal	C/AL ₂ O ₃
7	叶轮	Impeller	FC200
8	键	Key	S45C
9	机座	Feet	FC200/SS34
10	电机	Motor	



不同机型材质略有不同。
 The material will change according to the different type.

型谱图 Performance curves

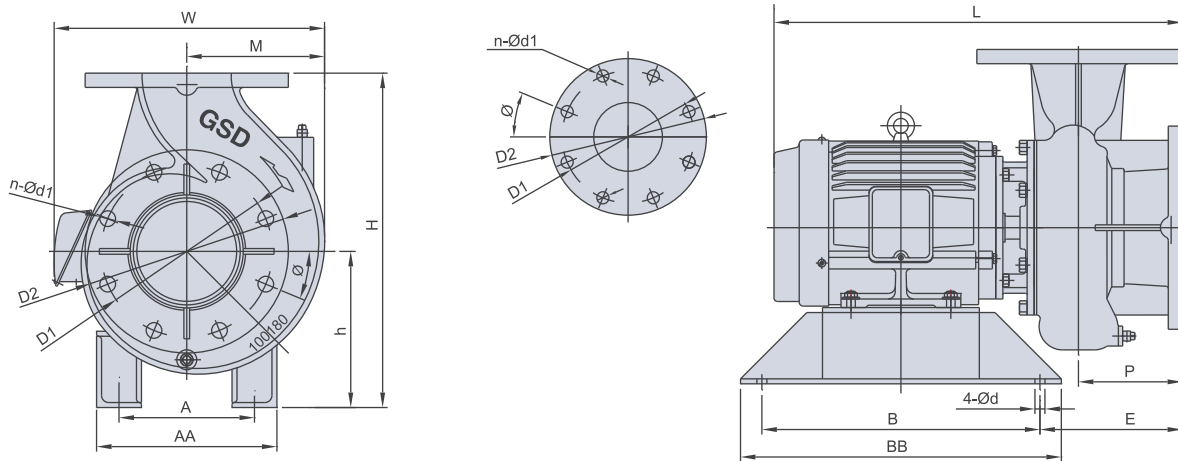


性能参数 Performance parameters

型号 Type	转速 Speed (r/min)	流量 Capacity (m ³ /h)	扬程 Head(m)	效率 Eff(%)	电动机功率 Motor power		必须气蚀余量 NPSHr(m)	口径 Dia(mm)	重量 Weight(kg)
					(hp)	(kW)			
GZ31-50	2900	16	7.5	57	1	0.75	2.5	50	40
		20	7	62			2.5		
		22	6.5	61			2.5		
GZ31-65	2900	23	6	58	1	0.75	2.5	65	41
		30	5	60			2.5		
		35	4.2	56			2.5		
GZ32-80	2900	35	8.2	59	2	1.5	2.5	80	46
		45	7.5	63			2.5		
		55	6	62			2.5		
GZ33-80	2900	40	9	64	3	2.2	2.5	80	50
		50	8	67			2.5		
		60	7	66			2.5		
GZ32-100	1450	30	6.5	56	2	1.5	3.0	100	57
		45	6	66			3.0		
		60	5.3	65			3.0		
GZ33-100	1450	40	8	63	3	2.2	3.0	100	66
		60	7	69			3.0		
		75	6	64			3.0		
GZ33-150	1450	90	5.2	60	3	2.2	3.5	150	86
		114	4.5	64.5			3.5		
		130	4.0	63			3.5		
GZ35-150	1450	112	7.5	71	5.5	4	3.5	150	96
		140	6.5	73			3.5		
		170	5.4	71			3.5		
GZ37-150	1450	120	9.8	72.5	7	5.5	3.5	150	120
		160	9	77			3.5		
		192	7.3	74			3.5		
GZ37-150I	1450	200	7	76	7	5.5	3.5	150	125
		220	6.5	77			3.5		
		255	6	78			3.5		
GZ310-150	1450	200	8.5	78	10	7.5	3.5	150	160
		240	7.5	82			3.5		
		260	7	80			3.5		



外形及安装尺寸 Installation dimensions



型号 Type	电动机功率 Dimensions(mm)															
	A	AA	B	BB	Ød	E	H	h	L	M	P	W	D1	D2	Ø	n-Ød1
GZ31-50/2P	125	177	290	342	14	112	220	110	396	91	84	237	125	165	45	4-Ø18
GZ31-65/2P	125	175	290	340	14	116.5	305	135	401	121	85	286	145	185	45	4-Ø18
GZ32-80/2P	140	192	290	340	14	153.5	345	165	457	137	100	315	160	200	22.5	8-Ø18
GZ33-80/2P	140	192	290	340	14	153.5	345	165	457	137	100	315	160	200	22.5	8-Ø18
GZ32-100/4P	140	216	290	340	14	177.5	365	165	481	164	115	334	180	220	22.5	8-Ø18
GZ33-100/4P	160	230	390	440	14	149	375	175	519	164	115	328	180	220	22.5	8-Ø18
GZ33-150/4P	160	223	390	450	14	193	457	207	563	193	146	357	240	285	22.5	8-Ø22
GZ35-150/4P	190	253	390	450	14	200	469	219	573	193	146	379	240	285	22.5	8-Ø22
GZ37-150/4P	216	291	390	440	14	234	457	207	640	193	146	410	240	285	22.5	8-Ø22
GZ37-150I/4P	216	291	390	440	14	249	487	207	636	224	149	441	240	285	22.5	8-Ø22
GZ310-150/4P	216	291	390	440	14	249	487	207	674	224	149	441	240	285	22.5	8-Ø22



川源

水处理系统专业合作伙伴

免费咨询电话

400-657-9066

数据来源：公司实验室数据及客户实际使用数据，具体使用环境不同，数据可能存在差异。

The data on the brochure is based on the laboratory testing data and customers' actual operation data in the past. The actual data may be different in different application conditions.

本型录内容如有变更，恕不另行通知。

We reserve the right to change content without notice.

川源(中国)机械有限公司版权所有 all rights reserved. CY-34

