



川源(中国)机械有限公司  
GSD (China) Co., Ltd.



# HX

## 高压隔膜压滤机

**HX High Pressure Membrane Filter Press**

# HX 高压隔膜压滤机

## HX High Pressure Membrane Filter Press

### HX高压隔膜压滤机简介

### The general introduction of high pressure membrane filter press

高压隔膜压滤机是一种间歇性操作的加压过滤设备,适用于各种悬浮液的固液分离,适用范围广、分离效果好、结构简单、操作方便、安全可靠,广泛应用与洗煤、石油、化工、染料、冶金、医药、食品、酒精等领域,也适用于纺织、印染、制药、造纸、皮革、味精等工业废水及城市生活污水处理等各种需要进行固液分离的领域。

本设备采用机、电、液一体化设计制造,结构合理,操作简单,维护方便,安全可靠,能够实现滤板压紧、过滤、压榨、反吹、洗涤、滤板松开、卸料等各道工序的自动化控制,滤板材料为增强聚丙烯。

本公司生产的高压隔膜压滤机有800、1000、1250、1500、1600、2000六个系列,每个系列有明流可洗、明流不可洗、暗流可洗、暗流不可洗四种;聚丙烯滤板可应用在低于70℃、90℃、120℃,较强酸碱性工况下使用(订货时需注明)。该系列压滤机执行标准为JB/T4333-2005《厢式压滤机和板框压滤机》

High pressure membrane filter press is a kind of intermittent pressure filtration equipment, which is suitable for solid-liquid separation of various suspensions. The characteristics of filter press are of simple structure, good separation effect, user-friendly and high reliability. It is widely used in coal washing, petroleum, chemical industry, dyestuff, metallurgy, medicine, food, alcohol and other fields. It is also suitable for textile, printing and dyeing, pharmaceutical, papermaking, leather, flavoring and other industrial wastewater and urban sewage treatment and other fields requiring solid-liquid separation.

We adopt integration design of mechanic, electric and hydraulic devices to manufacture the program-controlled auto filter press. With reasonable structure, simple operation, convenient maintenance, safety and reliability, it can realize the automatic control of filter plate pressing, filtering, pressing, back blowing, washing, filter plate loosening, unloading and other processes. The filter plate material is reinforced PP.

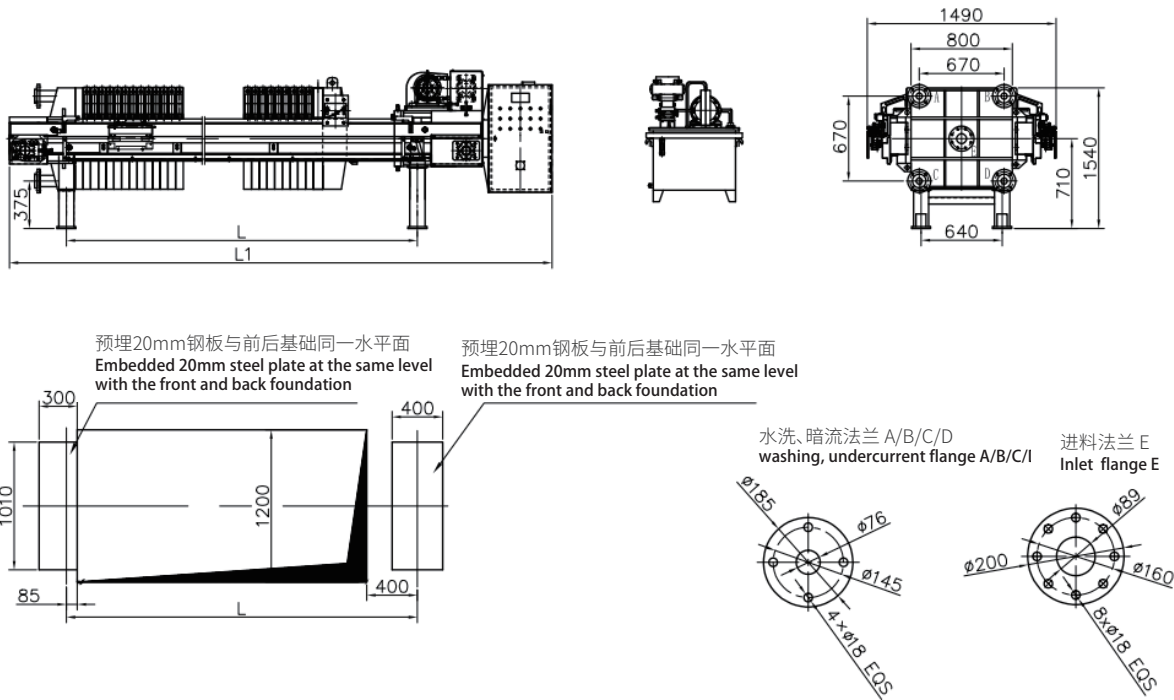
Our high pressure membrane filter press has six series: 800, 1000, 1250, 1500, 1600 and 2000. Each series has four types: open discharge with cake washing function, open discharge without this function, closed discharge with cake washing function and closed discharge without cake washing function. Polypropylene filter plate can be used under the temperature up to 70 °C, 90 °C, 120 °C and comparatively strong acid and alkali conditions ( must be stated when place order).

General hydraulic filter press is produced in accordance with the standard of JB/T4333-2005 Recessed plate filter press & plate and frame filter plate.

### 型号说明 Type description

**HX-□□□/□□**

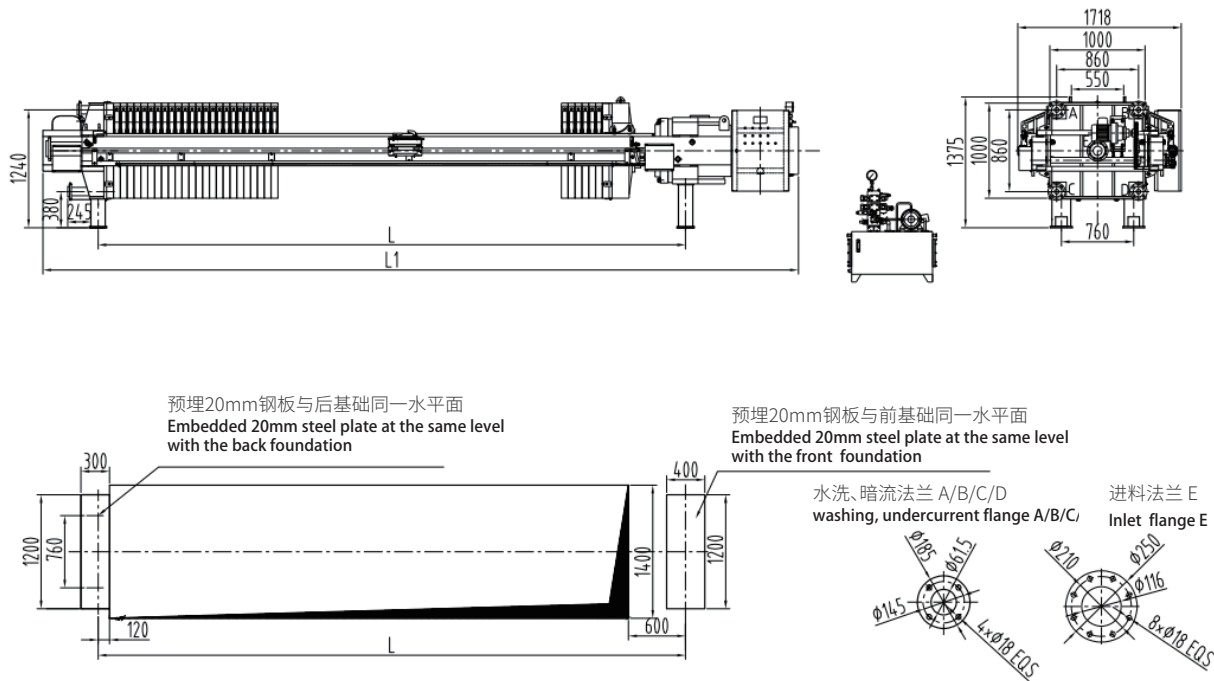
- B为不可洗式, K为可洗式
- B-without cake washing function, K-with cake washing function
- 滤板尺寸 (mm)
- Size of filter plate (mm)
- 过滤面积 (m<sup>2</sup>)
- Filtration area (m<sup>2</sup>)
- 是否带隔膜 (G: 带隔膜压榨, 无代号不带隔膜)
- With membrane or not (G-with membrane, no symbole-without membrane)
- 液流方式 (M: 明流 A: 暗流)
- Mode of liquid discharge (M-open discharge, A-close discharge)
- 高压隔膜压滤机
- High Pressure PP Membrane Filter Press



## HX<sub>A</sub>MG/800<sub>K</sub><sup>B</sup>

<p>技术参数：油缸工作行程500，最大行程850，缸径Φ250                  Technical Data: Work journey 500, Maximum journey 850, Hydraulic vat φ 250</p>								
<p>U-塑料板（厚65/60，滤布厚1mm/板）                  U-Plastic plate&amp;frame(Thickness65/60,Filter Cloth Thickness 1mm/Plate)</p>								
过滤面积 Filtration area (m <sup>2</sup> )	隔膜板/ 滤板数量 (块) Number of plate	滤饼厚度 cake thickness (mm)	滤室容积 Chamber volume (m <sup>3</sup> )	整机重量 Unit weight (kg)	地基尺寸L Anchor center (mm)	外形尺寸 Overall dimensions(mm)		
						总长L1 Length	宽 Width	高 Height
20	10/9	30	0.30	3374	2630	4045		
30	15/14		0.45	3815	3290	4705		
40	20/19		0.60	4258	3960	5375	1490	1110
50	25/24		0.75	4699	4620	6035		
60	30/29		0.90	5141	5290	6705		

注：进料压力 ≤ 1.2MPa. 压榨压力 ≤ 1.5MPa. 地坑尺寸为不带翻板尺寸  
 Note: feed pressure ≤ 1.2MPa. Press pressure ≤ 1.5MPa. Pit size is without flap plate



## HX<sub>A</sub>MG/1000<sub>K</sub>B

技术参数：油缸工作行程550，最大行程1030  
 Technical Data: Work journey 550, Maximum journey 1030

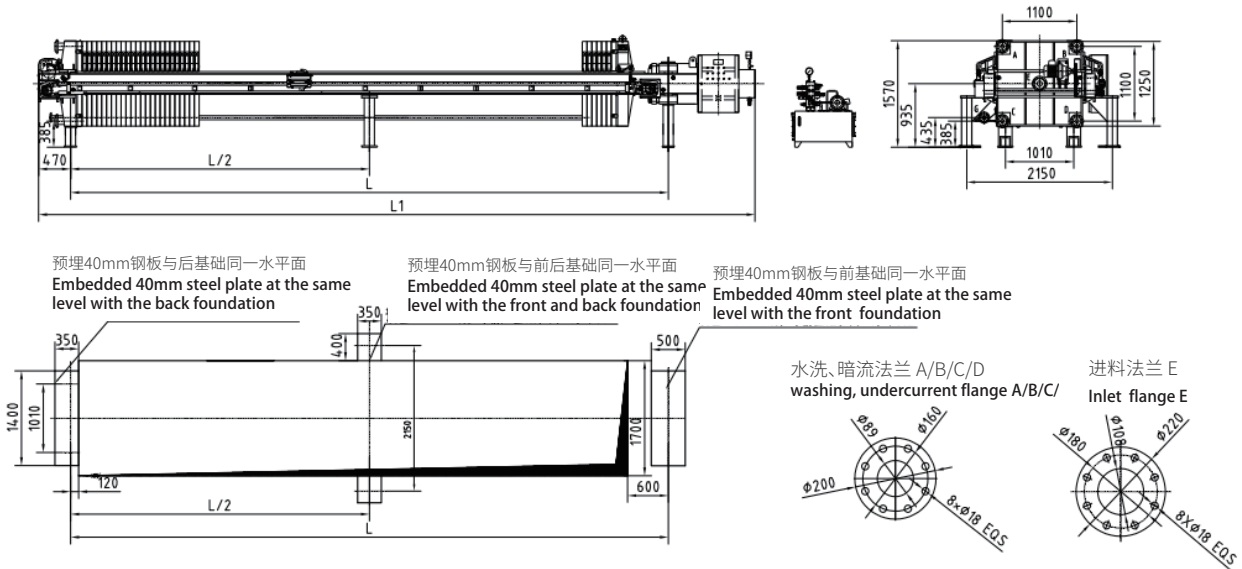
U-塑料厢式（厚70/68，滤布厚1mm/板）  
 U-Plastic plate&frame(Thickness 70/68, Filter Cloth Thickness 1mm/Plate)

过滤面积 Filtration area (m <sup>2</sup> )	隔膜板/ 厢式板数量(块) Number of plate	滤饼厚度 cake thickness (mm)	滤室容积 Chamber volume (m <sup>3</sup> )	整机重量 Unit weight (kg)	地基尺寸L Anchor center (mm)	梁长 Beam Length (mm)	外形尺寸 Overall dimensions(mm)		
							总长L1 Length	宽 Width	高 Height
60	19/18	35	1.08	5970	4225	5205	5745	1690	1390
70	22/21		1.25	6270	4650	5630	6170		
80	25/24		1.42	6570	5080	6060	6600		
90	28/27		1.59	6870	5505	6485	7025		
100	31/30		1.76	7170	5930	6910	7450		
120	37/36		2.10	7790	6780	7760	8300		

U-塑料厢式（厚72/70，滤布厚1mm/板）  
 U-Plastic plate&frame(Thickness 72/70, Filter Cloth Thickness 1mm/Plate)

60	19/18	40	1.23	5970	4300	5280	5820	1690	1390
70	22/21		1.43	6270	4740	5720	6260		
80	25/24		1.62	6570	5180	6160	6700		
90	28/27		1.82	6870	5615	6595	7135		
100	31/30		2.01	7170	6055	7035	7575		
120	37/36		2.40	7790	6930	7910	8450		





## HX<sub>A</sub>MG/1250<sub>K</sub>B

技术参数：油缸工作行程550，最大行程1200  
 Technical Data: Work journey 550, Maximum journey 1200

U-塑料滤板（厚76/72，滤布厚1mm/板）  
 U-Plastic plate&frame(Thickness76/72, Filter Cloth Thickness 1mm/Plate)

过滤面积 Filtration area (m <sup>2</sup> )	隔膜板/ 厢式板数量(块) Number of plate	滤饼厚度 cake thickness (mm)	滤室容积 Chamber volume (m <sup>3</sup> )	整机重量 Unit weight (kg)	地基尺寸L Anchor center (mm)	外形尺寸 Overall dimensions(mm)		
						总长L1 Length	宽 Width	高 Height
80	15/14		1.5	8318	3775	5530		
100	19/18		1.91	8991	4385	6140	1970	
120	23/22		2.31	9641	4990	6750		
150	28/27	38	2.81	10434	5750	7510	2130	1660
*160	30/29		3.01	10750	6055	7810		
*200	38/37		3.82	12020	7270	9030		
*240	45/44		4.52	13130	8335	10090		
*250	47/46		4.72	13418	8640	10400		

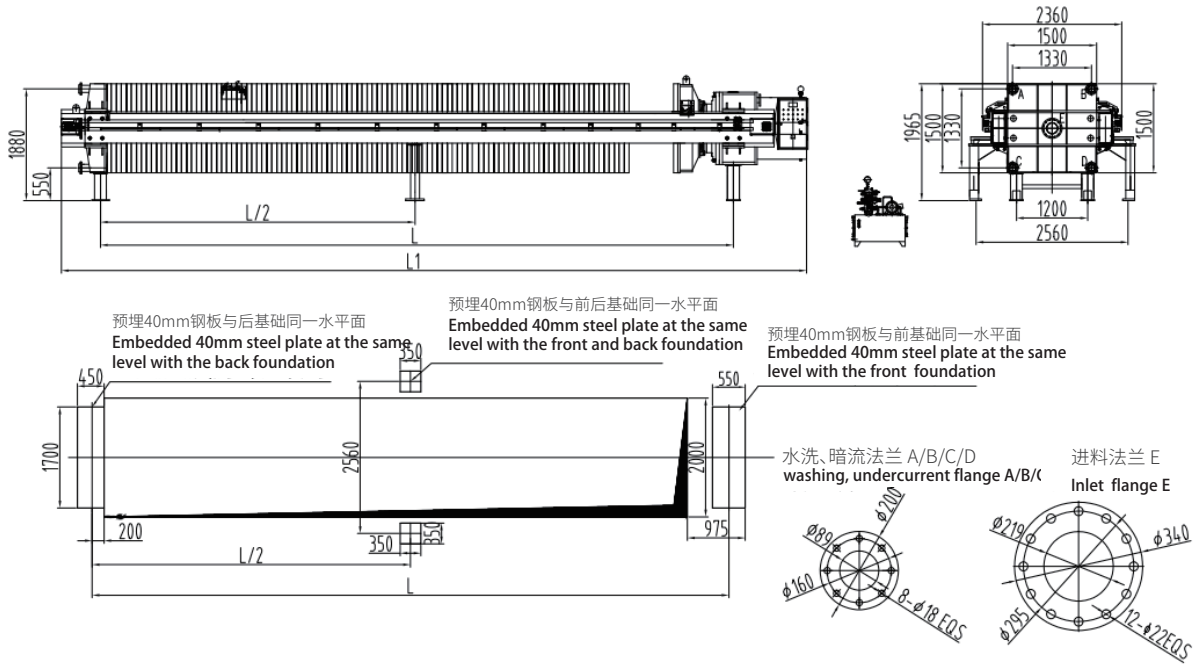
U-塑料板（厚78/74，滤布厚1mm/板）  
 U-Plastic plate&frame(Thickness78/74, Filter Cloth Thickness 1mm/Plate)

80	15/14		1.58	8318	3835	5590		
100	19/18		2.01	8991	4460	6220	1970	
120	23/22		2.43	9641	5080	6840		
150	28/27	40	2.96	10434	5860	7620	2130	1660
*160	30/29		3.17	10751	6175	7930		
*200	38/37		4.02	12020	7420	9180		
*240	45/44		4.76	13131	8515	10270		
*250	47/46		4.97	13418	8825	10580		

说明：过滤面积前标“\*”标示加一副中间支撑。

Note: model number with \* indicates a set of middle support is provided.





## HX<sub>A</sub>MG/1500<sub>k</sub>B

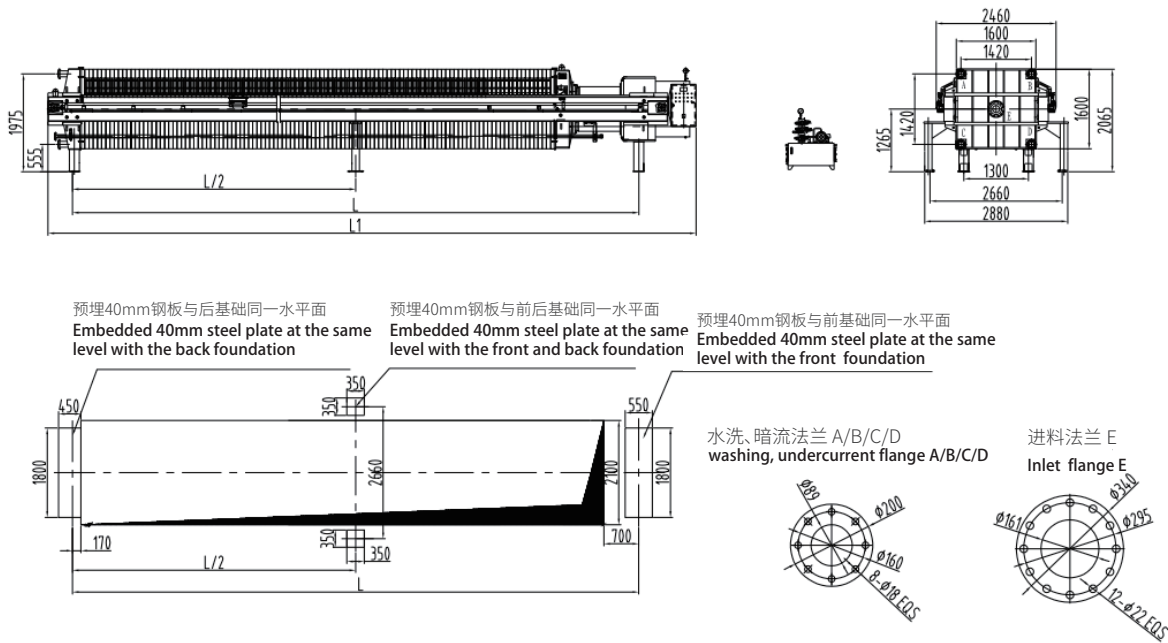
技术参数: 油缸工作行程750, 最大行程1000  
 Technical Data: Work journey 750, Maximum journey 1000

U-塑料板 (厚85/80, 滤布厚1mm/板)  
 U-Plastic plate&frame(Thickness85/80, Filter Cloth Thickness 1mm/Plate)

过滤面积 Filtration area (m <sup>2</sup> )	隔膜板/ 厢式板数量(块) Number of plate	滤饼厚度 cake thickness (mm)	滤室容积 Chamber volume (m <sup>3</sup> )	整机重量 Unit weight (kg)	地基尺寸L Anchor center (mm)	外形尺寸 Overall dimensions(mm)		
						总长L1 Length	宽 Width	高 Height
*220	29/28		4.48	18669	6840	8345	2470	1830
*250	33/32		5.10	19727	7520	9025	2470	1830
*300	39/38		6.03	21285	8530	10035	2470	1830
*350	46/45	40	7.11	23106	9710	11215	2470	1830
*400	52/51		8.04	24654	10730	12235	2470	1830
*450	59/58		9.12	26474	11910	13415	2470	1830
*500	65/64		10.05	28035	12925	14430	2470	1830

说明: 过滤面积前标“\*”标示加一副中间支撑。  
 Note: model number with \* indicates a set of middle support is provided.





## HX<sub>A</sub>MG/1600<sub>K</sub>B

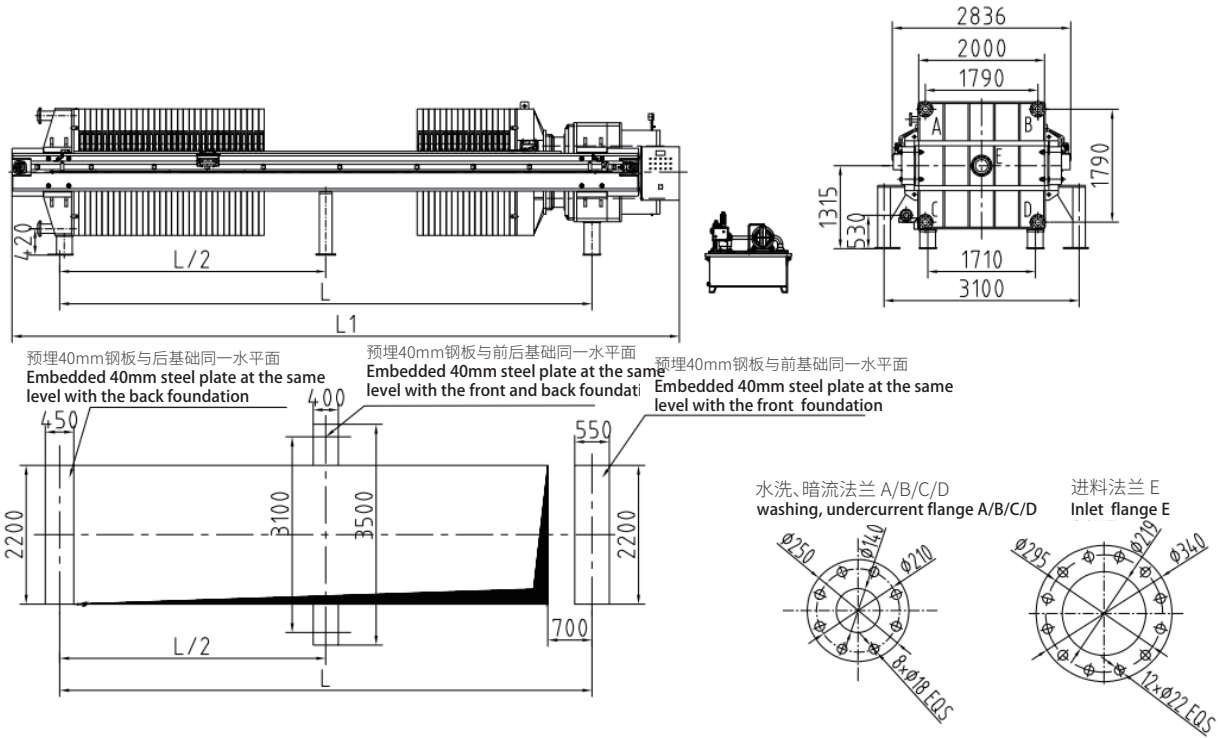
技术参数：工作行程750，最大行程1000  
 Technical Data: Work journey 750, Maximum journey 1000

U-塑料板（厚85/80，滤布厚1mm/板）  
 U-Plastic plate&frame(Thickness85/80, Filter Cloth Thickness 1mm/Plate)

过滤面积 Filtration area (m <sup>2</sup> )	隔膜板/ 厢式板数量(块) Number of plate	滤饼厚度 cake thickness (mm)	滤室容积 Chamber volume (m <sup>3</sup> )	整机重量 Unit weight (kg)	地基尺寸L Anchor center (mm)	外形尺寸 Overall dimensions(mm)		
						总长L1 Length	宽 Width	高 Height
*250	28/27		4.97	21564	6670	8175	2570	1925
*300	34/33		6.04	23555	7690	9195	2570	1925
*350	40/39		7.10	25542	8700	10205	2570	1925
*400	45/44	40	7.99	27199	9545	11050	2570	1925
*450	51/50		9.06	29187	10560	12065	2570	1925
*500	56/55		9.95	30842	11400	12905	2570	1925
*600	68/67		12.08	34819	13430	14935	2570	1925

说明: 过滤面积前标“\*”标示加一副中间支撑。  
 Note: model number with \* indicates a set of middle support is provided.





## HX<sub>A</sub>MG/2000<sub>k</sub>B

技术参数：油缸工作行程700，最大行程1000  
 Technical Data: Work journey 700, Maximum journey 1000

U-塑料板（厚95/85，滤布厚1mm/板）  
 U-Plastic plate&frame(Thickness95/85, Filter Cloth Thickness 1mm/Plate)

过滤面积 Filtration area (m <sup>2</sup> )	隔膜板/ 厢式板数量(块) Number of plate	滤饼厚度 cake thickness (mm)	滤室容积 Chamber volume (m <sup>3</sup> )	整机重量 Unit weight (kg)	地基尺寸L Anchor center (mm)	外形尺寸 Overall dimensions(mm)		
						总长L1 Length	宽 Width	高 Height
*500	35/34		10.00	46994	8585	10310		
*600	42/41		12.00	48956	9873	11598		
*700	49/48		14.00	51350	11161	12886		
*750	53/52	40	15.15	53850	11897	13622	3100	2450
*800	56/55		16.00	55240	12449	14174		
*900	63/62		18.00	64214	13737	15462		
*1000	70/69		20.00	68511	15025	16750		

说明：过滤面积前标“\*”标示加一副中间支撑。

Note: model number with \* indicates a set of middle support is provided.



## 技术特点

- 隔膜压滤机采用先进的过滤工艺, 该机主要用于降低物料中的水分, 可提高含固率8%-35%;
- 洗涤滤饼中的液体杂质, 提高滤渣中固体成分纯净度;
- 洗涤溶出滤饼中价值成分或者除去有害杂质;
- 洗涤滤饼中的溶液, 提高滤液回收率;
- 隔膜滤板的挤压有气压榨和水压榨两种选择, 压榨压力范围为0.5-1.6MPa;
- 机架采用液压压紧, 自动控制、自动保压、程控功能; 只需控制电控柜按钮, 即实现全部动作; 配备安全装置, 确保操作安全。

## 应用范围

洗煤、无机盐、酒精、化工、冶金、轻工、煤炭、食品、纺织、环保、能源等行业的固液分离过程。

## Features

- The diaphragm filter press adopts the most advanced filter process. The unit is used to reduce moisture in materials and increase solid rate by 8%-35%;
- Wash liquid impurities in press cake to improve purity of the solid ingredients in filter residue;
- Wash out valuable ingredients or remove harmful impurities from press cake;
- Wash the solution in press cake to improve filtrate recovery;
- Air pressing or water pressing can be selected for diaphragm filter plates, with a pressure range of 0.5-1.6 MPa;
- The frame adopts hydraulic pressing, automatic control, automatic pressure maintaining and programmable functions; all actions are realizable by controlling buttons on electric control cabinet; safety devices are provided to ensure safe operation.

## Applications

Solid-liquid separation in coal washing, inorganic salt, alcohol, chemical, metallurgy, pharmaceutical, light industry, coal mining, foodstuff, textile, environmental protection, energy source and other industries.

## 项目案例 Job Reference



# 欢迎索取以下产品型录



## 泵系列

潜水泵系列 | 陆上泵系列 | 特种泵系列



## 搅拌推流系列

搅拌机系列 | 推流器系列



## 供氧曝气系列

曝气机系列 | 曝气盘系列 | 曝气管系列



## 风机系列

三叶罗茨鼓风机系列 | 增压罗茨鼓风机 | 沉水式风机 | 空气悬浮离心鼓风机



## 污泥处理设备

带式脱水机 | 厢式压滤机 | 非金属矩形刮泥机 | 浅层高效气浮设备



## 智能化系列

EP6 物联监控管理系统 | 空气质量管理系统 | RS-485 传感器



## 反应器及套装设备

芬顿反应系统 | MBR生物膜反应器 | 预制泵站 | 一体化污水处理设备



## 耗材药剂及相关设备

生物绳 | PAC 聚合氯化铝 | PAM 聚丙烯酰胺 | 泡药设备



## 水处理系统专业合作伙伴

免费咨询电话

**400-657-9066**

本型录内容如有变更，恕不另行通知。

We reserve the right to change content without notice.

川源(中国)机械有限公司版权所有 all rights reserved. CY-14

