



川源（中国）机械有限公司
GSD Industrial Co.,Ltd.



VJA

喷流曝气机

VJA Jet aerator



VJA 喷流曝气机

VJA Jet aerator

用途

- 养殖池、一般水池的曝气供氧。
- 景观水池或各式水槽用搅拌水流，防止污水污物沉淀。
- 生活污水、下水道、畜牧业、产业废水等污水处理设施。

特点

- 曝气部分：独特的混气室设计，吸入空气量多，与水混合均匀，产生气泡细而多，溶氧率高。
- 曝气专用泵：低磨损、无缠绕、无堵塞、寿命长。采用内装螺栓杆连接，外型美观。

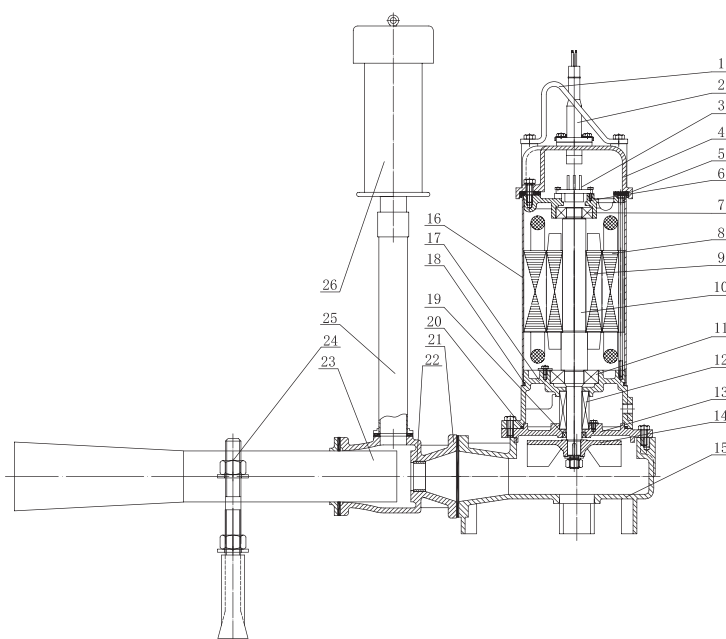
Application

- Aeration oxygen of Aquaculture, pond.
- Landscape pond or sinks with stirring the water, prevent contamination precipitation.
- Industrial wastewater treatment, effluent treatment of livestock husbandry and general foul sewer aeration engineering.

Features

- Aeration parts:
It has unique design for gas mixture chamber whose intake air quantity is big. It can be mixed well with water, and can produce minute and plenty of air bubble with high air dissolving rate.
- Special aeration pump:
Low wear, no wound and no clog, it has long service life. The product is connected with inner bolt bar, it has good appearance.

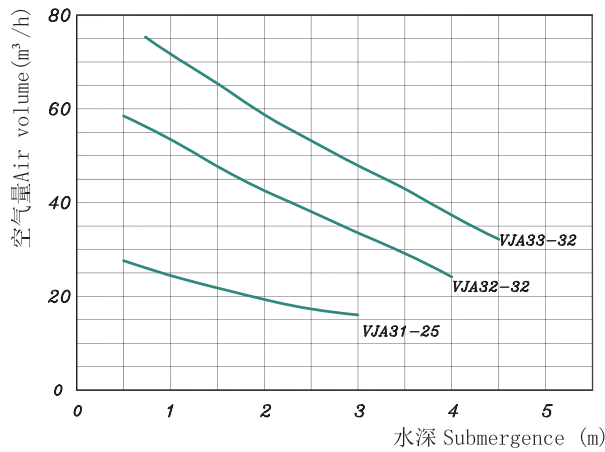
结构简图及材质 Construction and material



编号 NO	名称 Name	材质 Material	
		GB	JIS
1	把手 Handle	Q235	Q235
2	电缆 Cable	-	-
3	热保护器 Heat-protector	-	-
4	马达盖 Motor cover	HT200	FC200
5	马达盖密封垫 Motor cover gasket	NBR	NBR
6	轴承座 Shaft block	HT200	FC200
7	轴承 Bearing	-	-
8	定子 Stator	-	-
9	转子 Rotor	-	-
10	主轴 Shaft	3Cr13	SUS420J2
11	轴承 Bearing	-	-
12	机械密封 Mechanical seal	SIC-SIC	SIC-SIC
13	油箱盖 Oil cover	HT200	FC200

编号 NO	名称 Name	材质 Material	
		GB	JIS
14	叶轮 Impeller	HT200	FC200
15	泵体 Pump casing	HT200	FC200
16	马达本体 Motor casing	0Cr18Ni9	SUS304
17	中承座 Bracket	HT200	FC200
18	O型圈 O-ring	-	-
19	骨架油封 Framework oil seal	-	-
20	O型圈 O-ring	-	-
21	连接混合室 Join mixing chamber	HT200	FC200
22	喷嘴套管 Nozzle bushing	0Cr18Ni9	SUS304
23	扩散管 Divergent pipe	0Cr18Ni9	SUS304
24	膨胀螺栓 Expansion bolt	Q235A	SS400
25	进气管 Air intake pipe	Q215A	SS330
26	消音器 Muffler	Q235A	SS400

性能曲线 Performance curves

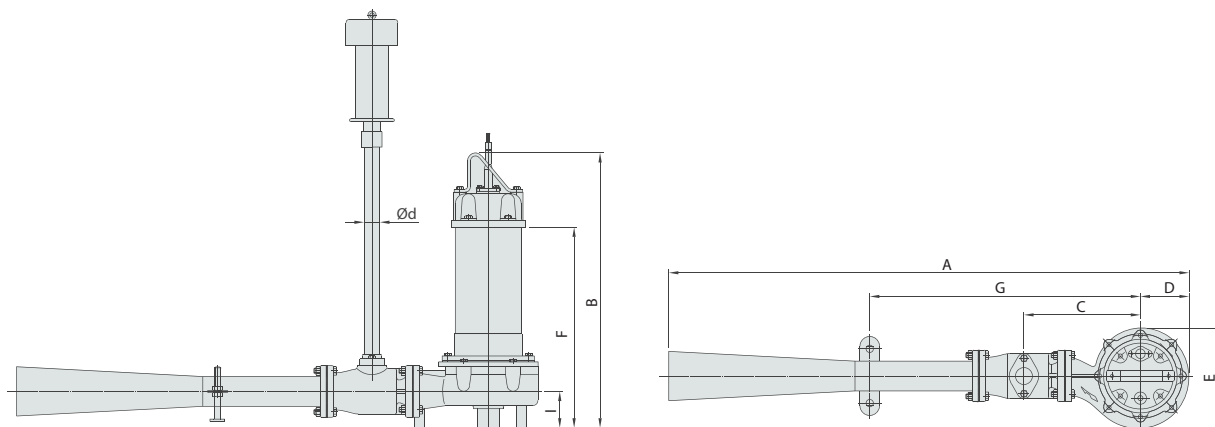


性能规格表 Specifications

型号 Type	功率 Power		极数 Pole	吸气管口径 mm(inch)	空气量-水深 Air capacity-water depth m³/h-m	曝气槽尺寸 Basin dimensions			适合水深 Workable water depth (m)
	hp	kW				L(m)	W(m)	H(m)	
VJA31-25	1	0.75	2	25(1")	18-2	3	2.5	3	1-3
VJA32-32	2	1.5	2	32(1 1/4")	34-3	4	4	4	1-4
VJA33-32	3	2.2	2	32(1 1/4")	38-4	4	4	4.5	1-4.5



外型尺寸图 Installation dimensions



型号 Type	尺寸 Dimensions(mm)									重量 Weight (kg)
	A	B	C	D	E	F	G	l	d	
VJA31-25	900	425	213	72	149	316	465	55	25A	25
VJA32-32	1056	558	236	99	204	407	549	74	32A	35
VJA33-32	1056	583	236	99	204	432	549	74	32A	37



免费咨询电话

400-657-9066

本型录内容如有变更，恕不另行通知。
We reserve the right to change content without notice.

