



川源（中国）机械有限公司
GSD Industrial Co.,Ltd.

VAS

变频恒压供水系统

VAS variable frequency constant pressure water supply system

VAS 变频恒压供水系统

VAS variable frequency constant pressure water supply system



简介 General

VAS变频恒压供水系统是一种对水泵机组进行转速调节从而实现恒压供水的智能型机电一体化装置，该系统由压力传感器（或远传压力表）、变频器、可编程控制器、控制回路、水泵、隔膜式气压罐及其他附件组成，通过控制水泵的转速达到使系统运行节能及压力平衡等优点。本机组可根据客户要求定做及选择多种附加功能，根据流量的大小选择配用水泵的数量（二台或三台），并可配用GPS卧式离心泵、LPS立式管道离心泵、SMV(N)立式多级泵三种不同型式的水泵。

VAS frequency-conversion constant-pressure water supply equipment is a kind of intelligent electromechanical integration equipment which can realize constant pressure water supply by adjusting rotational speed of water pump assembly. This equipment is made up of pressure transmitter (or resistance transmission pressure gauge), frequency converter, programmable controller, control circuit, water pump, diaphragm pneumatic tank and other accessories, Energy saving, steady pressure and other advantages can be obtained by controlling rotational speed of water pump. The equipment can be customized according to customer's requirements and there are multiple additional functions for customer's selection. Pumps quantity can be selected according to the capacity (two or three sets), and following three kinds of pump models can be used, GPS coaxial pump, LPS pipe centrifugal pump and SMV(N) vertical multi-stage centrifugal pumps.

特点 Features

- 采用变频恒压可编程控制，全自动运行，节能效果显著。
 - 管网压力无冲击，供水压力稳定，并且工作压力可按需设定，完全改善全速运行时压力不稳定的现象。
 - 水泵循环软启动，启动、停止平稳，减少设备损耗；无使用时，水泵能缓慢停机，无水锤现象发生，并以先开先停为原则运行，延长水泵寿命。
 - 系统采用共同机座，结构紧凑，施工容易，节省空间。
 - 故障自诊断和自处理功能，对过流、欠压、过压、水位过低和变频器故障等均能自行论断，系统具有完善的电气安全保护及电机故障跨越功能。
- Frequency-conversion constant-pressure programmable control and full-automatic operation are applied. Energy and cost are considerably saved.
 - No pressure impact on pipe network, steady water supply pressure, and working pressure can be set up according to requirements. Unsteadiness of pressure during operation at full speed is fully eliminated.
 - The soft start, start and stop of circulation of water pump are steady so as to reduce wear and tear of equipment. The water pump can stop slowly without occurring water hammer if no water is required. It can run under the principle of "start first and stop first", which prolongs service life of water pump.
 - The system adopts a shared foundation with compact structure, easy for installation and saving space.
 - Failure self-diagnosis and self-treatment function can automatically diagnose overflowing, under-pressure, overpressure, too low water level, frequency converter failure etc. The equipment has complete electrical safety protection and motor failure striding functions.

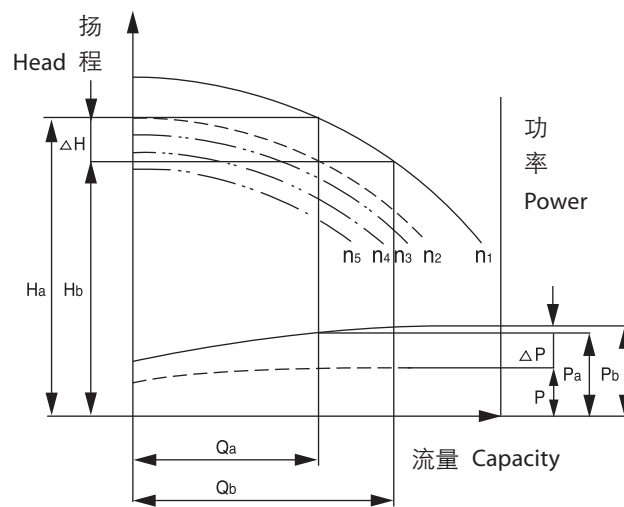
适用范围

高层建筑、城镇居民小区、企事业等生活用水；各种类型的工业用水；各种水厂、污水处理厂、农业排灌站等供水系统；空调、冷热水循环系统；锅炉恒压补水系统；各类供水系统的改造。

Range of application

Service water for high-rise buildings, residential buildings, enterprise and office building and company or enterprise etc. All types of industrial water. Water supply system for all kinds of water plant, sewage treatment plant and agricultural irrigation and drainage station etc. AIR conditioner, hot and cold water circulation system. Constant pressure water charging system of boiler. Reform of various kinds of water supply systems.

变频控制特性关系 Characteristic relation of variable frequency control



- — 变频后转速变化曲线 Varied curve of rotational speed after frequency conversion
- 泵浦全速运转曲线 Operating curve of pump at full speed
- - - 不同转速变化曲线 Varied curves of different rotational speed

图中显示全速运转 n_1 与变频运转 n_2 时，扬程差为 ΔH ，其轴功率 $P_a - P = \Delta P$ 大于 $P_b - P_a$ ，由此可知利用变频式控制可达到稳压和省电的功能。

This picture shows in the full-speed operation n_1 and frequency-conversion operation n_2 lift head difference is ΔH whose shaft power $P_a - P = \Delta P$ is greater than $P_b - P_a$. Therefore, constant pressure and electricity saving can be obtained by using variable frequency control.

转速与泵浦流量、扬程、功率关系

Relationship of rotational speed and capacity, lift head and power of pump:

$$\frac{Q_2}{Q_1} = \frac{n_2}{n_1} \quad \frac{H_2}{H_1} = \left(\frac{n_2}{n_1}\right)^2 \quad \frac{P_2}{P_1} = \left(\frac{n_2}{n_1}\right)^3$$

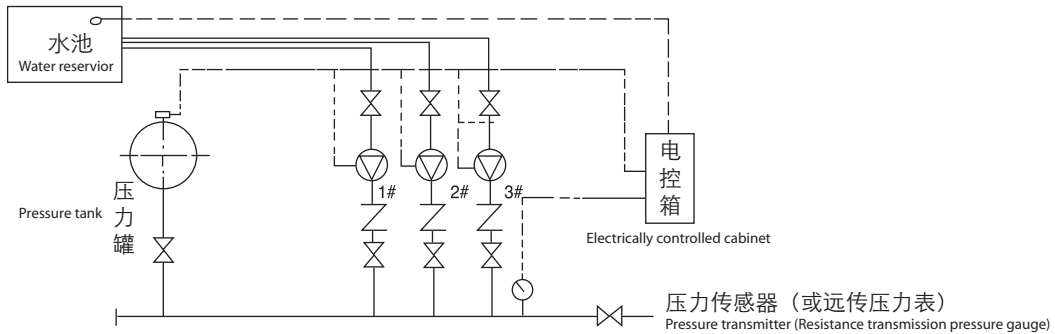
转速在100%、90%、80%时，泵浦流量、扬程、功率关系

When rotational speed is 100%/90%/80%, relationship of capacity, lift head and power of pump.

转速(%) Speed(%)	流量(%) Capacity(%)	扬程(%) Head(%)	功率(%) Shaft power(%)
100	100	100	100
90	90	81	73
80	80	64	51



系统流程图 System flow chart



主要部件 Main component

名称 Name	材质 Material	Material	
		GB	JIS
水泵 Pump		HT200/ZG0Cr18Ni9/ZG0Cr17Ni12Mo2	FC200/SCS13/SCS14
压力罐 Pressure tank		Q235/ZG0Cr18Ni9	SS400/SCS13
控制柜 Control cabinet		Q235A	SS400
变频器 Transducers		-	-
远传压力表 Remote pressure meter		-	-
管路 Pipeline		Q235A/0Cr18Ni9/UPVC	SS400/SUS304/UPVC
阀门 Valve		HT200/0Cr18Ni9	FC200/SUS304
止回阀 Check valve		HT200/0Cr18Ni9	FC200/SUS304
挠性接头 Elastic joint		NBR	NBR
槽钢底座 U-steel base		Q235A	SS400

型号说明 Type description

VAS G-65-24-28 D/3

- 3: 3台水泵运行 3: 3 pumps in service
- W: 同时运行 W: Running at the same time
- D: 一用一备或二用一备 D: One in service one standby or two in service one standby
- 系统额定扬程 Rated head of system (m)
- 单泵额定流量 Rated capacity of one pump (m³/h)
- 系统出口口径 Outlet diameter of system (mm)
- G: 系统使用GPS型直接式离心泵
G: System is with GPS coaxial pump
- L: 系统使用LPS型立式管道离心泵
L: System is with LPS pipe centrifugal pump
- S: 系统使用SMV型立式多级离心泵
S: System is with SMV vertical multi-stage centrifugal pump
- N: 系统使用SMVN型立式多级离心泵 (过流部件全不锈钢的水泵)
N: System is with SMVN vertical multi-stage centrifugal pump
- 变频恒压供水系统
VAS variable frequency constant pressure water supply system

性能参数及尺寸表 Performance parameters & dimension

配GPS直接式离心泵 With GPS coaxial pump

一用一备 One in service one standby

机组型号 Type	泵浦型号 Pump type	单泵功率 Motor power (kW)	入口口径 In discharge (mm)	出口口径 Out discharge (mm)	扬程 Head (m)	流量 Capacity (m ³ /h)	压力罐 Pressure tank	
							总容积 Volume (L)	压力 Pressure (MPa)
VASG25-2.5-13D	G30-25(2P)	0.37	25	25	13	2.5	50	0.6
VASG40-9-12D	G31-40(2P)	0.75	40	40	12	9.0	50	0.6
VASG40-11-16D	G32-40(2P)	1.5	40	40	16	11.0	50	0.6
VASG50-16-8D	G31-50(2P)	0.75	50	50	8	16.0	50	0.6
VASG50-12-20D	G32-50(2P)	1.5	50	50	20	12.5	50	0.6
VASG50-12-28D	G33-50(2P)	2.2	50	50	28	11.7	50	0.6
VASG50-12-44D	G35-50(2P)	3.7	50	50	44	11.7	50	0.6
VASG50-12-50D	G37-50(2P)	5.5	50	50	50	12.5	50	1.0
VASG50-12-70D	G310-50(2P)	7.5	50	50	70	11.7	50	1.0
VASG65-21-15D	G32-65(2P)	1.5	65	65	15	21.0	50	0.6
VASG65-22-18D	G33-65(2P)	2.2	65	65	18	22.3	50	0.6
VASG65-25-32D	G35-65(2P)	3.7	65	65	32	25.0	50	0.6
VASG65-22-38D	G37-65(2P)	5.5	65	65	38	21.7	50	0.6
VASG65-25-50D	G310-65(2P)	7.5	65	65	50	25.0	80	1.0
VASG65-23-70D	G315-65(2P)	11	65	65	70	23.0	100	1.0
VASG65-25-80D	G320-65(2P)	15	65	65	80	25.0	100	1.6
VASG80-40-12D	G33-80(2P)	2.2	80	80	12	40.0	80	0.6
VASG80-45-16D	G35-80(2P)	3.7	80	80	16	44.7	80	0.6
VASG80-43-24D	G37-80(2P)	5.5	80	80	24	43.3	100	0.6
VASG80-40-36D	G310-80(2P)	7.5	80	80	36	40.0	100	0.6
VASG80-44-44D	G315-80(2P)	11	80	80	44	44.0	200	0.6
VASG80-43-60D	G320-80(2P)	15	80	80	60	43.3	200	1.0
VASG80-47-70D	G325-80(2P)	18.5	80	80	70	46.8	200	1.0
VASG80-50-80D	G330-80(2P)	22	80	80	80	50.0	200	1.6
VASG80-45-103D	G340-80(2P)	30	80	80	103	45.4	300	1.6
VASG100-70-12D	G35-100(2P)	3.7	100	100	12	70.0	100	0.6
VASG100-85-16D	G37-100(2P)	5.5	100	100	16	85.0	200	0.6
VASG100-90-20D	G310-100(2P)	7.5	100	100	20	90.0	200	0.6
VASG100-90-28D	G315-100(2P)	11	100	100	28	90.0	300	0.6
VASG100-87-38D	G320-100(2P)	15	100	100	38	86.6	300	0.6
VASG100-94-44D	G325-100(2P)	18.5	100	100	44	93.5	300	0.6
VASG100-100-50D	G330-100(2P)	22	100	100	50	100.0	300	1.0
VASG100-94-70D	G340-100(2P)	30	100	100	70	93.5	300	1.0
VASG50-11-15D	G32-50(4P)	1.5	50	50	15	10.8	50	0.6
VASG50-12-20D	G33-50(4P)	2.2	50	50	20	12.5	50	0.6
VASG65-23-11D	G32-65(4P)	1.5	65	65	11	23.0	50	0.6
VASG65-23-17D	G33-65(4P)	2.2	65	65	17	23.0	50	0.6
VASG65-22-25D	G35-65(4P)	3.7	65	65	25	21.7	50	0.6
VASG65-25-20D	G35-65(I)(4P)	3.7	65	65	20	25.0	50	0.6
VASG65-25-32D	G37-65(4P)	5.5	65	65	32	25.0	80	0.6
VASG80-40-12D	G33-80(4P)	2.2	80	80	12	40.0	80	0.6
VASG80-46-17D	G35-80(4P)	3.7	80	80	17	46.0	80	0.6
VASG80-50-20D	G37-80(4P)	5.5	80	80	20	50.0	100	0.6
VASG80-46-28D	G310-80(4P)	7.5	80	80	28	46.0	100	0.6
VASG80-50-32D	G315-80(4P)	11	80	80	32	50.0	200	0.6
VASG100-86-10D	G35-100(4P)	3.7	100	100	10	86.5	100	0.6
VASG100-86-15D	G37-100(4P)	5.5	100	100	15	86.0	200	0.6
VASG100-93-18D	G310-100(4P)	7.5	100	100	18	93.0	200	0.6
VASG100-90-26D	G315-100(4P)	11	100	100	26	90.0	300	0.6
VASG100-100-32D	G320-100(4P)	15	100	100	32	100.0	300	0.6
VASG100-90-38D	G325-100(4P)	18.5	100	100	38	90.0	300	0.6
VASG100-95-44D	G330-100(4P)	22	100	100	44	95.0	300	0.6
VASG150-120-7D	G35-150(4P)	3.7	150	150	7	120.0	200	0.6



性能参数及尺寸表 Performance parameters & dimension

配GPS直接式离心泵 With GPS coaxial pump

一用一备 One in service one standby

机组型号 Type	泵浦型号 Pump type	单泵功率 Motor power (kW)	入口口径 In discharge (mm)	出口口径 Out discharge (mm)	扬程 Head (m)	流量 Capacity (m ³ /h)	压力罐 Pressure tank	
							总容积 Volume (L)	压力 Pressure (MPa)
VASG150-130-10D	G37-150(4P)	5.5	150	150	10	130.0	300	0.6
VASG150-134-14D	G310-150(4P)	7.5	150	150	14	134.0	300	0.6
VASG150-147-17D	G315-150(4P)	11	150	150	17	147.0	300	0.6
VASG150-150-28D	G325-150(4P)	18.5	150	150	28	150.0	300	0.6
VASG150-130-36D	G330-150(I)(4P)	22	150	150	36	130.0	300	0.6
VASG150-150-45D	G340-150(4P)	30	150	150	45	150.0	300	0.6

二台同时 Two in service

机组型号 Type	泵浦型号 Pump type	单泵功率 Motor power (kW)	入口口径 In discharge (mm)	出口口径 Out discharge (mm)	扬程 Head (m)	流量 Capacity (m ³ /h)	压力罐 Pressure tank	
							总容积 Volume (L)	压力 Pressure (MPa)
VASG40-2.5-13W	G30-25(2P)	0.37	40	40	13	4.3	50	0.6
VASG50-9-12W	G31-40(2P)	0.75	50	50	12	15.3	50	0.6
VASG65-11-16W	G32-40(2P)	1.5	65	65	16	18.7	50	0.6
VASG65-16-8W	G31-50(2P)	0.75	65	65	8	27.2	50	0.6
VASG65-12-20W	G32-50(2P)	1.5	65	65	20	21.3	50	0.6
VASG65-12-28W	G33-50(2P)	2.2	65	65	28	19.9	50	0.6
VASG65-12-44W	G35-50(2P)	3.7	65	65	44	19.9	50	0.6
VASG65-12-50W	G37-50(2P)	5.5	65	65	50	21.3	50	1.0
VASG65-12-70W	G310-50(2P)	7.5	65	65	70	19.9	50	1.0
VASG80-21-15W	G32-65(2P)	1.5	80	80	15	35.7	50	0.6
VASG80-22-18W	G33-65(2P)	2.2	80	80	18	37.9	80	0.6
VASG80-25-32W	G35-65(2P)	3.7	80	80	32	42.5	80	0.6
VASG80-22-38W	G37-65(2P)	5.5	80	80	38	36.9	100	0.6
VASG80-25-50W	G310-65(2P)	7.5	80	80	50	42.5	100	1.0
VASG80-23-70W	G315-65(2P)	11	80	80	70	39.1	200	1.0
VASG80-25-80W	G320-65(2P)	15	80	80	80	42.5	200	1.6
VASG100-40-12W	G33-80(2P)	2.2	100	100	12	68.0	100	0.6
VASG100-45-16W	G35-80(2P)	3.7	100	100	16	76.0	100	0.6
VASG100-43-24W	G37-80(2P)	5.5	100	100	24	73.6	200	0.6
VASG100-40-36W	G310-80(2P)	7.5	100	100	36	68.0	200	0.6
VASG100-44-44W	G315-80(2P)	11	100	100	44	74.8	300	0.6
VASG100-43-60W	G320-80(2P)	15	100	100	60	73.6	300	1.0
VASG100-47-70W	G325-80(2P)	18.5	100	100	70	79.6	300	1.0
VASG100-50-80W	G330-80(2P)	22	100	100	80	85.0	300	1.6
VASG100-45-103W	G340-80(2P)	30	100	100	103	77.2	300	1.6
VASG150-70-12W	G35-100(2P)	3.7	150	150	12	119.0	200	0.6
VASG150-85-16W	G37-100(2P)	5.5	150	150	16	144.5	300	0.6
VASG150-90-20W	G310-100(2P)	7.5	150	150	20	153.0	300	0.6
VASG150-90-28W	G315-100(2P)	11	150	150	28	153.0	300	0.6
VASG150-87-38W	G320-100(2P)	15	150	150	38	147.2	300	0.6
VASG150-94-44W	G325-100(2P)	18.5	150	150	44	159.0	300	0.6
VASG150-100-50W	G330-100(2P)	22	150	150	50	170.0	770	1.0
VASG150-94-70W	G340-100(2P)	30	150	150	70	159.0	770	1.0
VASG65-11-15W	G32-50(4P)	1.5	65	65	15	18.4	50	0.6
VASG65-12-20W	G33-50(4P)	2.2	65	65	20	21.3	50	0.6
VASG80-23-11W	G32-65(4P)	1.5	80	80	11	39.1	80	0.6
VASG80-23-17W	G33-65(4P)	2.2	80	80	17	39.1	80	0.6
VASG80-22-25W	G35-65(4P)	3.7	80	80	25	36.9	80	0.6
VASG80-25-20W	G35-65(I)(4P)	3.7	80	80	20	42.5	80	0.6
VASG80-25-32W	G37-65(4P)	5.5	80	80	32	42.5	100	0.6
VASG100-40-12W	G33-80(4P)	2.2	100	100	12	68.0	100	0.6



性能参数及尺寸表 Performance parameters & dimension

配GPS直接式离心泵 With GPS coaxial pump

二台同时 Two in service

机组型号 Type	泵浦型号 Pump type	单泵功率 Motor power (kW)	入口口径 In discharge (mm)	出口口径 Out discharge (mm)	扬程 Head (m)	流量 Capacity (m ³ /h)	压力罐 Pressure tank	
							总容积 Volume (L)	压力 Pressure (MPa)
VASG100-46-17W	G35-80(4P)	3.7	100	100	17	78.2	100	0.6
VASG100-50-20W	G37-80(4P)	5.5	100	100	20	85.0	200	0.6
VASG100-46-28W	G310-80(4P)	7.5	100	100	28	78.2	200	0.6
VASG100-50-32W	G315-80(4P)	11	100	100	32	85.0	300	0.6
VASG150-86-10W	G35-100(4P)	3.7	150	150	10	147.1	300	0.6
VASG150-86-15W	G37-100(4P)	5.5	150	150	15	146.2	300	0.6
VASG150-93-18W	G310-100(4P)	7.5	150	150	18	158.1	300	0.6
VASG150-90-26W	G315-100(4P)	11	150	150	26	153.0	300	0.6
VASG150-100-32W	G320-100(4P)	15	150	150	32	170.0	770	0.6
VASG150-90-38W	G325-100(4P)	18.5	150	150	38	153.0	300	0.6
VASG150-95-44W	G330-100(4P)	22	150	150	44	161.5	300	0.6
VASG200-120-7W	G35-150(4P)	3.7	200	200	7	204.0	300	0.6
VASG200-130-10W	G37-150(4P)	5.5	200	200	10	221.0	300	0.6
VASG200-134-14W	G310-150(4P)	7.5	200	200	14	227.8	300	0.6
VASG200-147-17W	G315-150(4P)	11	200	200	17	249.9	770	0.6
VASG200-150-28W	G325-150(4P)	18.5	200	200	28	255.0	770	0.6
VASG200-130-36W	G330-150(I)(4P)	22	200	200	36	221.0	770	0.6
VASG200-150-45W	G340-150(4P)	30	200	200	45	255.0	1400	0.6

二用一备 Two in service one standby

机组型号 Type	泵浦型号 Pump type	单泵功率 Motor power (kW)	入口口径 In discharge (mm)	出口口径 Out discharge (mm)	扬程 Head (m)	流量 Capacity (m ³ /h)	压力罐 Pressure tank	
							总容积 Volume (L)	压力 Pressure (MPa)
VASG40-2.5-13D/3	G30-25(2P)	0.37	40	40	13	4.3	50	0.6
VASG50-9-12D/3	G31-40(2P)	0.75	50	50	12	15.3	50	0.6
VASG65-11-16D/3	G32-40(2P)	1.5	65	65	16	18.7	50	0.6
VASG65-16-8D/3	G31-50(2P)	0.75	65	65	8	27.2	50	0.6
VASG65-12-20D/3	G32-50(2P)	1.5	65	65	20	21.3	50	0.6
VASG65-12-28D/3	G33-50(2P)	2.2	65	65	28	19.9	50	0.6
VASG65-12-44D/3	G35-50(2P)	3.7	65	65	44	19.9	50	0.6
VASG65-12-50D/3	G37-50(2P)	5.5	65	65	50	21.3	50	1.0
VASG65-12-70D/3	G310-50(2P)	7.5	65	65	70	19.9	50	1.0
VASG80-21-15D/3	G32-65(2P)	1.5	80	80	15	35.7	50	0.6
VASG80-22-18D/3	G33-65(2P)	2.2	80	80	18	37.9	80	0.6
VASG80-25-32D/3	G35-65(2P)	3.7	80	80	32	42.5	80	0.6
VASG80-22-38D/3	G37-65(2P)	5.5	80	80	38	36.9	100	0.6
VASG80-25-50D/3	G310-65(2P)	7.5	80	80	50	42.5	100	1.0
VASG80-23-70D/3	G315-65(2P)	11	80	80	70	39.1	200	1.0
VASG80-25-80D/3	G320-65(2P)	15	80	80	80	42.5	200	1.6
VASG100-40-12D/3	G33-80(2P)	2.2	100	100	12	68.0	100	0.6
VASG100-45-16D/3	G35-80(2P)	3.7	100	100	16	76.0	100	0.6
VASG100-43-24D/3	G37-80(2P)	5.5	100	100	24	73.6	200	0.6
VASG100-40-36D/3	G310-80(2P)	7.5	100	100	36	68.0	200	0.6
VASG100-44-44D/3	G315-80(2P)	11	100	100	44	74.8	300	0.6
VASG100-43-60D/3	G320-80(2P)	15	100	100	60	73.6	300	1.0
VASG100-47-70D/3	G325-80(2P)	18.5	100	100	70	79.6	300	1.0
VASG100-50-80D/3	G330-80(2P)	22	100	100	80	85.0	300	1.6
VASG100-45-103D/3	G340-80(2P)	30	100	100	103	77.2	300	1.6
VASG150-70-12D/3	G35-100(2P)	3.7	150	150	12	119.0	200	0.6
VASG150-85-16D/3	G37-100(2P)	5.5	150	150	16	144.5	300	0.6
VASG150-90-20D/3	G310-100(2P)	7.5	150	150	20	153.0	300	0.6
VASG150-90-28D/3	G315-100(2P)	11	150	150	28	153.0	300	0.6
VASG150-87-38D/3	G320-100(2P)	15	150	150	38	147.2	300	0.6



性能参数及尺寸表 Performance parameters & dimension

配GPS直接式离心泵 With GPS coaxial pump

二用一备 Two in service one standby

机组型号 Type	泵浦型号 Pump type	单泵功率 Motor power (kW)	入口口径 In discharge (mm)	出口口径 Out discharge (mm)	扬程 Head (m)	流量 Capacity (m ³ /h)	压力罐 Pressure tank	
							总容积 Volume (L)	压力 Pressure (MPa)
VASG150-94-44D/3	G325-100(2P)	18.5	150	150	44	159.0	300	0.6
VASG150-100-50D/3	G330-100(2P)	22	150	150	50	170.0	770	1.0
VASG150-94-70D/3	G340-100(2P)	30	150	150	70	159.0	770	1.0
VASG65-11-15D/3	G32-50(4P)	1.5	65	65	15	18.4	50	0.6
VASG65-12-20D/3	G33-50(4P)	2.2	65	65	20	21.3	50	0.6
VASG80-23-11D/3	G32-65(4P)	1.5	80	80	11	39.1	80	0.6
VASG80-23-17D/3	G33-65(4P)	2.2	80	80	17	39.1	80	0.6
VASG80-22-25D/3	G35-65(4P)	3.7	80	80	25	36.9	80	0.6
VASG80-25-20D/3	G35-65(I)(4P)	3.7	80	80	20	42.5	80	0.6
VASG80-25-32D/3	G37-65(4P)	5.5	80	80	32	42.5	100	0.6
VASG100-40-12D/3	G33-80(4P)	2.2	100	100	12	68.0	100	0.6
VASG100-46-17D/3	G35-80(4P)	3.7	100	100	17	78.2	100	0.6
VASG100-50-20D/3	G37-80(4P)	5.5	100	100	20	85.0	200	0.6
VASG100-46-28D/3	G310-80(4P)	7.5	100	100	28	78.2	200	0.6
VASG100-50-32D/3	G315-80(4P)	11	100	100	32	85.0	300	0.6
VASG150-86-10D/3	G35-100(4P)	3.7	150	150	10	147.1	300	0.6
VASG150-86-15D/3	G37-100(4P)	5.5	150	150	15	146.2	300	0.6
VASG150-93-18D/3	G310-100(4P)	7.5	150	150	18	158.1	300	0.6
VASG150-90-26D/3	G315-100(4P)	11	150	150	26	153.0	300	0.6
VASG150-100-32D/3	G320-100(4P)	15	150	150	32	170.0	770	0.6
VASG150-90-38D/3	G325-100(4P)	18.5	150	150	38	153.0	300	0.6
VASG150-95-44D/3	G330-100(4P)	22	150	150	44	161.5	300	0.6
VASG200-120-7D/3	G35-150(4P)	3.7	200	200	7	204.0	300	0.6
VASG200-130-10D/3	G37-150(4P)	5.5	200	200	10	221.0	300	0.6
VASG200-134-14D/3	G310-150(4P)	7.5	200	200	14	227.8	300	0.6
VASG200-147-17D/3	G315-150(4P)	11	200	200	17	249.9	770	0.6
VASG200-150-28D/3	G325-150(4P)	18.5	200	200	28	255.0	770	0.6
VASG200-130-36D/3	G330-150(I)(4P)	22	200	200	36	221.0	770	0.6
VASG200-150-45D/3	G340-150(4P)	30	200	200	45	255.0	1400	0.6

三台同时 Three in service

机组型号 Type	泵浦型号 Pump type	单泵功率 Motor power (kW)	入口口径 In discharge (mm)	出口口径 Out discharge (mm)	扬程 Head (m)	流量 Capacity (m ³ /h)	压力罐 Pressure tank	
							总容积 Volume (L)	压力 Pressure (MPa)
VASG50-2.5-13W/3	G30-25(2P)	0.37	50	50	13	6.2	50	0.6
VASG65-9-12W/3	G31-40(2P)	0.75	65	65	12	22.5	50	0.6
VASG65-11-16W/3	G32-40(2P)	1.5	65	65	16	27.5	50	0.6
VASG80-16-8W/3	G31-50(2P)	0.75	80	80	8	40.0	80	0.6
VASG80-12-20W/3	G32-50(2P)	1.5	80	80	20	31.2	50	0.6
VASG80-12-28W/3	G33-50(2P)	2.2	80	80	28	29.2	50	0.6
VASG80-12-44W/3	G35-50(2P)	3.7	80	80	44	29.2	50	0.6
VASG80-12-50W/3	G37-50(2P)	5.5	80	80	50	31.2	100	1.0
VASG80-12-70W/3	G310-50(2P)	7.5	80	80	70	29.2	80	1.0
VASG100-21-15W/3	G32-65(2P)	1.5	100	100	15	52.5	100	0.6
VASG100-22-18W/3	G33-65(2P)	2.2	100	100	18	55.7	100	0.6
VASG100-25-32W/3	G35-65(2P)	3.7	100	100	32	62.5	100	0.6
VASG100-22-38W/3	G37-65(2P)	5.5	100	100	38	54.2	100	0.6
VASG100-25-50W/3	G310-65(2P)	7.5	100	100	50	62.5	200	1.0
VASG100-23-70W/3	G315-65(2P)	11	100	100	70	57.5	200	1.0
VASG100-25-80W/3	G320-65(2P)	15	100	100	80	62.5	300	1.6
VASG150-40-12W/3	G33-80(2P)	2.2	150	150	12	100.0	200	0.6
VASG150-45-16W/3	G35-80(2P)	3.7	150	150	16	111.7	200	0.6
VASG150-43-24W/3	G37-80(2P)	5.5	150	150	24	108.2	300	0.6



性能参数及尺寸表 Performance parameters & dimension

配GPS直接式离心泵 With GPS coaxial pump

三台同时 Three in service

机组型号 Type	泵浦型号 Pump type	单泵功率 Motor power (kW)	入口口径 In discharge (mm)	出口口径 Out discharge (mm)	扬程 Head (m)	流量 Capacity (m ³ /h)	压力罐 Pressure tank	
							总容积 Volume (L)	压力 Pressure (MPa)
VASG150-40-36W/3	G310-80(2P)	7.5	150	150	36	100.0	300	0.6
VASG150-44-44W/3	G315-80(2P)	11	150	150	44	110.0	300	0.6
VASG150-43-60W/3	G320-80(2P)	15	150	150	60	108.2	300	1.0
VASG150-47-70W/3	G325-80(2P)	18.5	150	150	70	117.0	300	1.0
VASG150-50-80W/3	G330-80(2P)	22	150	150	80	125.0	300	1.6
VASG150-45-103W/3	G340-80(2P)	30	150	150	103	113.5	770	1.6
VASG150-70-12W/3	G35-100(2P)	3.7	150	150	12	175.0	300	0.6
VASG200-85-16W/3	G37-100(2P)	5.5	200	200	16	212.5	300	0.6
VASG200-90-20W/3	G310-100(2P)	7.5	200	200	20	225.0	300	0.6
VASG200-90-28W/3	G315-100(2P)	11	200	200	28	225.0	770	0.6
VASG200-87-38W/3	G320-100(2P)	15	200	200	38	216.5	770	0.6
VASG200-94-44W/3	G325-100(2P)	18.5	200	200	44	233.7	770	0.6
VASG200-100-50W/3	G330-100(2P)	22	200	200	50	250.0	770	1.0
VASG200-94-70W/3	G340-100(2P)	30	200	200	70	233.7	1400	1.0
VASG80-11-15W/3	G32-50(4P)	1.5	80	80	15	27.0	50	0.6
VASG80-12-20W/3	G33-50(4P)	2.2	80	80	20	31.2	50	0.6
VASG100-23-11W/3	G32-65(4P)	1.5	100	100	11	57.5	100	0.6
VASG100-23-17W/3	G33-65(4P)	2.2	100	100	17	57.5	100	0.6
VASG100-22-25W/3	G35-65(4P)	3.7	100	100	25	54.2	100	0.6
VASG100-25-20W/3	G35-65(I)(4P)	3.7	100	100	20	62.5	100	0.6
VASG100-25-32W/3	G37-65(4P)	5.5	100	100	32	62.5	200	0.6
VASG150-40-12W/3	G33-80(4P)	2.2	150	150	12	100.0	200	0.6
VASG150-46-17W/3	G35-80(4P)	3.7	150	150	17	115.0	200	0.6
VASG150-50-20W/3	G37-80(4P)	5.5	150	150	20	125.0	300	0.6
VASG150-46-28W/3	G310-80(4P)	7.5	150	150	28	115.0	300	0.6
VASG150-50-32W/3	G315-80(4P)	11	150	150	32	125.0	300	0.6
VASG200-86-10W/3	G35-100(4P)	3.7	200	200	10	216.2	300	0.6
VASG200-86-15W/3	G37-100(4P)	5.5	200	200	15	215.0	300	0.6
VASG200-93-18W/3	G310-100(4P)	7.5	200	200	18	232.5	300	0.6
VASG200-90-26W/3	G315-100(4P)	11	200	200	26	225.0	770	0.6
VASG200-100-32W/3	G320-100(4P)	15	200	200	32	250.0	770	0.6
VASG200-90-38W/3	G325-100(4P)	18.5	200	200	38	225.0	770	0.6
VASG200-95-44W/3	G330-100(4P)	22	200	200	44	237.5	770	0.6
VASG250-120-7W/3	G35-150(4P)	3.7	250	250	7	300.0	300	0.6
VASG250-130-10W/3	G37-150(4P)	5.5	250	250	10	325.0	770	0.6
VASG250-134-14W/3	G310-150(4P)	7.5	250	250	14	335.0	770	0.6
VASG250-147-17W/3	G315-150(4P)	11	250	250	17	367.5	1400	0.6
VASG250-150-28W/3	G325-150(4P)	18.5	250	250	28	375.0	1400	0.6
VASG250-130-36W/3	G330-150(I)(4P)	22	250	250	36	325.0	1400	0.6
VASG250-150-45W/3	G340-150(4P)	30	250	250	45	375.0	1400	0.6



性能参数及尺寸表 Performance parameters & dimension

LPS立式管道离心泵 With LPS pipe centrifugal pump

一用一备 One in service one standby

机组型号 Type	泵浦型号 Pump type	单泵功率 Motor power (kW)	入口口径 In discharge (mm)	出口口径 Out discharge (mm)	扬程 Head (m)	流量 Capacity (m ³ /h)	压力罐 Pressure tank	
							总容积 Volume (L)	压力 Pressure (MPa)
VASL25-2.5-13D	L30-25(2P)	0.37	25	25	13	2.5	50	0.6
VASL40-9-12D	L31-40(2P)	0.75	40	40	12	9.0	50	0.6
VASL40-11-16D	L32-40(2P)	1.5	40	40	16	11.0	50	0.6
VASL40-16-8D	L31-50(2P)	0.75	40	40	8	16.0	50	0.6
VASL50-12-20D	L32-50(2P)	1.5	50	50	20	12.5	50	0.6
VASL50-12-28D	L33-50(2P)	2.2	50	50	28	11.7	50	0.6
VASL50-12-44D	L35-50(2P)	3.7	50	50	44	11.7	50	0.6
VASL50-12-50D	L37-50(2P)	5.5	50	50	50	12.5	50	1.0
VASL65-21-15D	L32-65(2P)	1.5	65	65	15	21.0	50	0.6
VASL65-22-18D	L33-65(2P)	2.2	65	65	18	22.3	50	0.6
VASL65-25-32D	L35-65(2P)	3.7	65	65	32	25.0	50	0.6
VASL65-22-38D	L37-65(2P)	5.5	65	65	38	21.7	50	0.6
VASL65-25-50D	L310-65(2P)	0.75	65	65	50	25.0	50	1.0
VASL80-45-16D	L35-80(2P)	3.7	80	80	16	44.7	80	0.6
VASL80-43-24D	L37-80(2P)	5.5	80	80	24	43.3	100	0.6
VASL80-40-36D	L310-80(2P)	7.5	80	80	36	40.0	100	0.6
VASL80-47-44D	L315-80(2P)	11	80	80	44	46.8	200	0.6
VASL80-43-60D	L320-80(2P)	15	80	80	60	43.3	200	1.0
VASL80-47-70D	L325-80(2P)	18.5	80	80	70	46.8	200	1.0
VASL80-50-80D	L330-80(2P)	22	80	80	80	50.0	200	1.6
VASL80-45-103D	L340-80(2P)	30	80	80	103	45.4	300	1.6
VASL100-70-12D	L35-100(2P)	3.7	100	100	12	70.0	100	0.6
VASL100-85-16D	L37-100(2P)	5.5	100	100	16	85.0	200	0.6
VASL100-90-20D	L310-100(2P)	7.5	100	100	20	90.0	200	0.6
VASL100-90-28D	L315-100(2P)	11	100	100	28	90.0	300	0.6
VASL100-87-38D	L320-100(2P)	15	100	100	38	86.6	300	0.6
VASL100-94-44D	L325-100(2P)	18.5	100	100	44	93.5	300	0.6
VASL100-100-50D	L330-100(2P)	22	100	100	50	100.0	300	1.0
VASL100-94-70D	L340-100(2P)	30	100	100	70	93.5	300	1.0
VASL65-23-11D	L32-65(4P)	1.5	65	65	11	23.4	50	0.6
VASL65-23-17D	L33-65(4P)	2.2	65	65	17	23.0	50	0.6
VASL65-22-25D	L35-65(4P)	3.7	65	65	25	22.0	50	0.6
VASL65-25-20D	L35-65(I)(4P)	3.7	65	65	20	25.0	50	0.6
VASL65-25-32D	L37-65(4P)	5.5	65	65	32	25.0	80	0.6
VASL80-40-12D	L33-80(4P)	2.2	80	80	12	40.0	80	0.6
VASL80-47-17D	L35-80(4P)	3.7	80	80	17	46.7	100	0.6
VASL80-50-20D	L37-80(4P)	5.5	80	80	20	50.0	100	0.6
VASL80-47-28D	L310-80(4P)	7.5	80	80	28	46.7	100	0.6
VASL80-50-32D	L315-80(4P)	11	80	80	32	50.0	200	0.6
VASL100-86-10D	L35-100(I)(4P)	3.7	100	100	10	86.5	100	0.6
VASL100-86-15D	L37-100(4P)	5.5	100	100	15	86.5	200	0.6
VASL100-94-18D	L310-100(4P)	7.5	100	100	18	93.5	200	0.6
VASL100-90-26D	L315-100(4P)	11	100	100	26	90.8	300	0.6
VASL100-100-32D	L320-100(4P)	15	100	100	32	100.0	300	0.6
VASL150-130-10D	L37-150(4P)	5.5	150	150	10	130.0	300	0.6
VASL150-134-14D	L310-150(4P)	7.5	150	150	14	134.0	300	0.6
VASL150-147-17D	L315-150(4P)	11	150	150	17	147.0	300	0.6
VASL150-138-24D	L320-150(I)(4P)	15	150	150	24	138.0	300	0.6
VASL150-150-28D	L325-150(4P)	18.5	150	150	28	150.0	300	0.6



性能参数及尺寸表 Performance parameters & dimension

LPS立式管道离心泵 With LPS pipe centrifugal pump

二台同时 Two in service

机组型号 Type	泵浦型号 Pump type	单泵功率 Motor power (kW)	入口口径 In discharge (mm)	出口口径 Out discharge (mm)	扬程 Head (m)	流量 Capacity (m ³ /h)	压力罐 Pressure tank	
							总容积 Volume (L)	压力 Pressure (MPa)
VASL40-2.5-13W	L30-25(2P)	0.37	40	40	13	4.3	50	0.6
VASL50-9-12W	L31-40(2P)	0.75	50	50	12	15.3	50	0.6
VASL65-11-16W	L32-40(2P)	1.5	65	65	16	18.7	50	0.6
VASL65-16-8W	L31-50(2P)	0.75	65	65	8	27.2	50	0.6
VASL65-12-20W	L32-50(2P)	1.5	65	65	20	21.3	50	0.6
VASL65-12-28W	L33-50(2P)	2.2	65	65	28	19.9	50	0.6
VASL65-12-44W	L35-50(2P)	3.7	65	65	44	19.9	50	0.6
VASL65-12-50W	L37-50(2P)	5.5	65	65	50	21.3	50	1.0
VASL80-21-15W	L32-65(2P)	1.5	80	80	15	35.7	50	0.6
VASL80-22-18W	L33-65(2P)	2.2	80	80	18	37.9	80	0.6
VASL80-25-32W	L35-65(2P)	3.7	80	80	32	42.5	80	0.6
VASL80-22-38W	L37-65(2P)	5.5	80	80	38	36.9	100	0.6
VASL80-25-50W	L310-65(2P)	0.75	80	80	50	42.5	80	1.0
VASL100-45-16W	L35-80(2P)	3.7	100	100	16	76.0	100	0.6
VASL100-43-24W	L37-80(2P)	5.5	100	100	24	73.6	200	0.6
VASL100-40-36W	L310-80(2P)	7.5	100	100	36	68.0	200	0.6
VASL100-47-44W	L315-80(2P)	11	100	100	44	79.6	300	0.6
VASL100-43-60W	L320-80(2P)	15	100	100	60	73.6	300	1.0
VASL100-47-70W	L325-80(2P)	18.5	100	100	70	79.6	300	1.0
VASL100-50-80W	L330-80(2P)	22	100	100	80	85.0	300	1.6
VASL100-45-103W	L340-80(2P)	30	100	100	103	77.2	300	1.6
VASL150-70-12W	L35-100(2P)	3.7	150	150	12	119.0	200	0.6
VASL150-85-16W	L37-100(2P)	5.5	150	150	16	144.5	300	0.6
VASL150-90-20W	L310-100(2P)	7.5	150	150	20	153.0	300	0.6
VASL150-90-28W	L315-100(2P)	11	150	150	28	153.0	300	0.6
VASL150-87-38W	L320-100(2P)	15	150	150	38	147.2	300	0.6
VASL150-94-44W	L325-100(2P)	18.5	150	150	44	159.0	300	0.6
VASL150-100-50W	L330-100(2P)	22	150	150	50	170.0	770	1.0
VASL150-94-70W	L340-100(2P)	30	150	150	70	159.0	770	1.0
VASL80-23-11W	L32-65(4P)	1.5	80	80	11	39.8	80	0.6
VASL80-23-17W	L33-65(4P)	2.2	80	80	17	39.1	80	0.6
VASL80-22-25W	L35-65(4P)	3.7	80	80	25	37.4	80	0.6
VASL80-25-20W	L35-65(I)(4P)	3.7	80	80	20	42.5	80	0.6
VASL80-25-32W	L37-65(4P)	5.5	80	80	32	42.5	100	0.6
VASL100-40-12W	L33-80(4P)	2.2	100	100	12	68.0	100	0.6
VASL100-47-17W	L35-80(4P)	3.7	100	100	17	79.4	100	0.6
VASL100-50-20W	L37-80(4P)	5.5	100	100	20	85.0	200	0.6
VASL100-47-28W	L310-80(4P)	7.5	100	100	28	79.4	200	0.6
VASL100-50-32W	L315-80(4P)	11	100	100	32	85.0	300	0.6
VASL150-86-10W	L35-100(I)(4P)	3.7	150	150	10	147.1	300	0.6
VASL150-86-15W	L37-100(4P)	5.5	150	150	15	147.1	300	0.6
VASL150-94-18W	L310-100(4P)	7.5	150	150	18	159.0	300	0.6
VASL150-90-26W	L315-100(4P)	11	150	150	26	154.4	300	0.6
VASL150-100-32W	L320-100(4P)	15	150	150	32	170.0	770	0.6
VASL200-130-10W	L37-150(4P)	5.5	200	200	10	221.0	300	0.6
VASL200-134-14W	L310-150(4P)	7.5	200	200	14	227.8	300	0.6
VASL200-147-17W	L315-150(4P)	11	200	200	17	249.9	770	0.6
VASL200-138-24W	L320-150(I)(4P)	15	200	200	24	234.6	770	0.6
VASL200-150-28W	L325-150(4P)	18.5	200	200	28	255.0	770	0.6



性能参数及尺寸表 Performance parameters & dimension

LPS立式管道离心泵 With LPS pipe centrifugal pump

二用一备 Two in service one standby

机组型号 Type	泵浦型号 Pump type	单泵功率 Motor power (kW)	入口口径 In discharge (mm)	出口口径 Out discharge (mm)	扬程 Head (m)	流量 Capacity (m ³ /h)	压力罐 Pressure tank	
							总容积 Volume (L)	压力 Pressure (MPa)
VASL40-2.5-13D/3	L30-25(2P)	0.37	40	40	13	4.3	50	0.6
VASL50-9-12D/3	L31-40(2P)	0.75	50	50	12	15.3	50	0.6
VASL65-11-16D/3	L32-40(2P)	1.5	65	65	16	18.7	50	0.6
VASL65-16-8D/3	L31-50(2P)	0.75	65	65	8	27.2	50	0.6
VASL65-12-20D/3	L32-50(2P)	1.5	65	65	20	21.3	50	0.6
VASL65-12-28D/3	L33-50(2P)	2.2	65	65	28	19.9	50	0.6
VASL65-12-44D/3	L35-50(2P)	3.7	65	65	44	19.9	50	0.6
VASL65-12-50D/3	L37-50(2P)	5.5	65	65	50	21.3	50	1.0
VASL80-21-15D/3	L32-65(2P)	1.5	80	80	15	35.7	50	0.6
VASL80-22-18D/3	L33-65(2P)	2.2	80	80	18	37.9	80	0.6
VASL80-25-32D/3	L35-65(2P)	3.7	80	80	32	42.5	80	0.6
VASL80-22-38D/3	L37-65(2P)	5.5	80	80	38	36.9	100	0.6
VASL80-25-50D/3	L310-65(2P)	0.75	80	80	50	42.5	80	1.0
VASL100-45-16D/3	L35-80(2P)	3.7	100	100	16	76.0	100	0.6
VASL100-43-24D/3	L37-80(2P)	5.5	100	100	24	73.6	200	0.6
VASL100-40-36D/3	L310-80(2P)	7.5	100	100	36	68.0	200	0.6
VASL100-47-44D/3	L315-80(2P)	11	100	100	44	79.6	300	0.6
VASL100-43-60D/3	L320-80(2P)	15	100	100	60	73.6	300	1.0
VASL100-47-70D/3	L325-80(2P)	18.5	100	100	70	79.6	300	1.0
VASL100-50-80D/3	L330-80(2P)	22	100	100	80	85.0	300	1.6
VASL100-45-103D/3	L340-80(2P)	30	100	100	103	77.2	300	1.6
VASL150-70-12D/3	L35-100(2P)	3.7	150	150	12	119.0	200	0.6
VASL150-85-16D/3	L37-100(2P)	5.5	150	150	16	144.5	300	0.6
VASL150-90-20D/3	L310-100(2P)	7.5	150	150	20	153.0	300	0.6
VASL150-90-28D/3	L315-100(2P)	11	150	150	28	153.0	300	0.6
VASL150-87-38D/3	L320-100(2P)	15	150	150	38	147.2	300	0.6
VASL150-94-44D/3	L325-100(2P)	18.5	150	150	44	159.0	300	0.6
VASL150-100-50D/3	L330-100(2P)	22	150	150	50	170.0	770	1.0
VASL150-94-70D/3	L340-100(2P)	30	150	150	70	159.0	770	1.0
VASL80-23-11D/3	L32-65(4P)	1.5	80	80	11	39.8	80	0.6
VASL80-23-17D/3	L33-65(4P)	2.2	80	80	17	39.1	80	0.6
VASL80-22-25D/3	L35-65(4P)	3.7	80	80	25	37.4	80	0.6
VASL80-25-20D/3	L35-65(I)(4P)	3.7	80	80	20	42.5	80	0.6
VASL80-25-32D/3	L37-65(4P)	5.5	80	80	32	42.5	100	0.6
VASL100-40-12D/3	L33-80(4P)	2.2	100	100	12	68.0	100	0.6
VASL100-47-17D/3	L35-80(4P)	3.7	100	100	17	79.4	100	0.6
VASL100-50-20D/3	L37-80(4P)	5.5	100	100	20	85.0	200	0.6
VASL100-47-28D/3	L310-80(4P)	7.5	100	100	28	79.4	200	0.6
VASL100-50-32D/3	L315-80(4P)	11	100	100	32	85.0	300	0.6
VASL150-86-10D/3	L35-100(I)(4P)	3.7	150	150	10	147.1	300	0.6
VASL150-86-15D/3	L37-100(4P)	5.5	150	150	15	147.1	300	0.6
VASL150-94-18D/3	L310-100(4P)	7.5	150	150	18	159.0	300	0.6
VASL150-90-26D/3	L315-100(4P)	11	150	150	26	154.4	300	0.6
VASL150-100-32D/3	L320-100(4P)	15	150	150	32	170.0	770	0.6
VASL200-130-10D/3	L37-150(4P)	5.5	200	200	10	221.0	300	0.6
VASL200-134-14D/3	L310-150(4P)	7.5	200	200	14	227.8	300	0.6
VASL200-147-17D/3	L315-150(4P)	11	200	200	17	249.9	770	0.6
VASL200-138-24D/3	L320-150(I)(4P)	15	200	200	24	234.6	770	0.6
VASL200-150-28D/3	L325-150(4P)	18.5	200	200	28	255.0	770	0.6



性能参数及尺寸表 Performance parameters & dimension

LPS立式管道离心泵 With LPS pipe centrifugal pump

三台同时 Three in service

机组型号 Type	泵浦型号 Pump type	单泵功率 Motor power (kW)	入口口径 In discharge (mm)	出口口径 Out discharge (mm)	扬程 Head (m)	流量 Capacity (m ³ /h)	压力罐 Pressure tank	
							总容积 Volume (L)	压力 Pressure (MPa)
VASL50-2.5-13W/3	L30-25(2P)	0.37	50	50	13	6.2	50	0.6
VASL80-9-12W/3	L31-40(2P)	0.75	80	80	12	22.5	50	0.6
VASL80-11-16W/3	L32-40(2P)	1.5	80	80	16	27.5	50	0.6
VASL80-16-8W/3	L31-50(2P)	0.75	80	80	8	40.0	80	0.6
VASL80-12-20W/3	L32-50(2P)	1.5	80	80	20	31.2	50	0.6
VASL80-12-28W/3	L33-50(2P)	2.2	80	80	28	29.2	50	0.6
VASL80-12-44W/3	L35-50(2P)	3.7	80	80	44	29.2	50	0.6
VASL80-12-50W/3	L37-50(2P)	5.5	80	80	50	31.2	100	1.0
VASL100-21-15W/3	L32-65(2P)	1.5	100	100	15	52.5	100	0.6
VASL100-22-18W/3	L33-65(2P)	2.2	100	100	18	55.7	100	0.6
VASL100-25-32W/3	L35-65(2P)	3.7	100	100	32	62.5	100	0.6
VASL100-22-38W/3	L37-65(2P)	5.5	100	100	38	54.2	100	0.6
VASL100-25-50W/3	L310-65(2P)	0.75	100	100	50	62.5	100	1.0
VASL150-45-16W/3	L35-80(2P)	3.7	150	150	16	111.7	200	0.6
VASL150-43-24W/3	L37-80(2P)	5.5	150	150	24	108.2	300	0.6
VASL150-40-36W/3	L310-80(2P)	7.5	150	150	36	100.0	300	0.6
VASL150-47-44W/3	L315-80(2P)	11	150	150	44	117.0	300	0.6
VASL150-43-60W/3	L320-80(2P)	15	150	150	60	108.2	300	1.0
VASL150-47-70W/3	L325-80(2P)	18.5	150	150	70	117.0	300	1.0
VASL150-50-80W/3	L330-80(2P)	22	150	150	80	125.0	300	1.6
VASL150-45-103W/3	L340-80(2P)	30	150	150	103	113.5	770	1.6
VASL200-70-12W/3	L35-100(2P)	3.7	200	200	12	175.0	300	0.6
VASL200-85-16W/3	L37-100(2P)	5.5	200	200	16	212.5	300	0.6
VASL200-90-20W/3	L310-100(2P)	7.5	200	200	20	225.0	300	0.6
VASL200-90-28W/3	L315-100(2P)	11	200	200	28	225.0	770	0.6
VASL200-87-38W/3	L320-100(2P)	15	200	200	38	216.5	770	0.6
VASL200-94-44W/3	L325-100(2P)	18.5	200	200	44	233.7	770	0.6
VASL200-100-50W/3	L330-100(2P)	22	200	200	50	250.0	770	1.0
VASL200-94-70W/3	L340-100(2P)	30	200	200	70	233.7	1400	1.0
VASL100-23-11W/3	L32-65(4P)	1.5	100	100	11	58.5	100	0.6
VASL100-23-17W/3	L33-65(4P)	2.2	100	100	17	57.5	100	0.6
VASL100-22-25W/3	L35-65(4P)	3.7	100	100	25	55.0	100	0.6
VASL100-25-20W/3	L35-65(I)(4P)	3.7	100	100	20	62.5	100	0.6
VASL100-25-32W/3	L37-65(4P)	5.5	100	100	32	62.5	200	0.6
VASL150-40-12W/3	L33-80(4P)	2.2	150	150	12	100.0	200	0.6
VASL150-47-17W/3	L35-80(4P)	3.7	150	150	17	116.7	200	0.6
VASL150-50-20W/3	L37-80(4P)	5.5	150	150	20	125.0	300	0.6
VASL150-47-28W/3	L310-80(4P)	7.5	150	150	28	116.7	300	0.6
VASL150-50-32W/3	L315-80(4P)	11	150	150	32	125.0	300	0.6
VASL200-86-10W/3	L35-100(I)(4P)	3.7	200	200	10	216.2	300	0.6
VASL200-86-15W/3	L37-100(4P)	5.5	200	200	15	216.2	300	0.6
VASL200-94-18W/3	L310-100(4P)	7.5	200	200	18	233.7	300	0.6
VASL200-90-26W/3	L315-100(4P)	11	200	200	26	227.0	770	0.6
VASL200-100-32W/3	L320-100(4P)	15	200	200	32	250.0	770	0.6
VASL250-130-10W/3	L37-150(4P)	5.5	250	250	10	325.0	770	0.6
VASL250-134-14W/3	L310-150(4P)	7.5	250	250	14	335.0	770	0.6
VASL250-147-17W/3	L315-150(4P)	11	250	250	17	367.5	1400	0.6
VASL250-138-24W/3	L320-150(I)(4P)	15	250	250	24	345.0	1400	0.6
VASL250-150-28W/3	L325-150(4P)	18.5	250	250	28	375.0	1400	0.6



性能参数及尺寸表 Performance parameters & dimension

配SMV(N)立式多级离心泵 With SMV(N) vertical multi-stage centrifugal pump

一用一备 One in service one standby

机组型号 Type	泵浦型号 Pump type	单泵功率 Motor power (kW)	入口口径 In discharge (mm)	出口口径 Out discharge (mm)	扬程 Head (m)	流量 Capacity (m ³ /h)	压力罐 Pressure tank	
							总容积 Volume (L)	压力 Pressure (MPa)
VASN25-2-15D	SMVN2-2	0.37	25	25	15	2	50	0.6
VASN25-2-22D	SMVN2-3	0.37	25	25	22	2	50	0.6
VASN25-2-30D	SMVN2-4	0.55	25	25	30	2	50	0.6
VASN25-2-37D	SMVN2-5	0.55	25	25	37	2	50	0.6
VASN25-2-45D	SMVN2-6	0.75	25	25	45	2	50	0.6
VASN25-2-52D	SMVN2-7	0.75	25	25	52	2	50	1.0
VASN25-2-59D	SMVN2-8	1.1	25	25	59	2	50	1.0
VASN25-2-67D	SMVN2-9	1.1	25	25	67	2	50	1.0
VASN25-2-74D	SMVN2-10	1.1	25	25	74	2	50	1.0
VASN25-2-82D	SMVN2-11	1.1	25	25	82	2	50	1.6
VASN25-2-90D	SMVN2-12	1.5	25	25	90	2	50	1.6
VASN25-2-98D	SMVN2-13	1.5	25	25	98	2	50	1.6
VASN25-2-105D	SMVN2-14	1.5	25	25	105	2	50	1.6
VASN25-2-112D	SMVN2-15	1.5	25	25	112	2	50	1.6
VASN25-2-120D	SMVN2-16	2.2	25	25	120	2	50	1.6
VASN25-2-128D	SMVN2-17	2.2	25	25	128	2	50	1.6
VASN25-2-136D	SMVN2-18	2.2	25	25	136	2	50	2.5
VASN25-2-143D	SMVN2-19	2.2	25	25	143	2	50	2.5
VASN25-2-150D	SMVN2-20	2.2	25	25	150	2	50	2.5
VASN25-2-157D	SMVN2-21	2.2	25	25	157	2	50	2.5
VASN25-2-165D	SMVN2-22	2.2	25	25	165	2	50	2.5
VASN25-2-173D	SMVN2-23	3	25	25	173	2	50	2.5
VASN25-2-181D	SMVN2-24	3	25	25	181	2	50	2.5
VASN25-2-189D	SMVN2-25	3	25	25	189	2	50	2.5
VASN25-2-198D	SMVN2-26	3	25	25	198	2	50	2.5
VASN32-4-15D	SMVN4-2	0.37	32	32	15	4	50	0.6
VASN32-4-24D	SMVN4-3	0.55	32	32	24	4	50	0.6
VASN32-4-32D	SMVN4-4	0.75	32	32	32	4	50	0.6
VASN32-4-40D	SMVN4-5	1.1	32	32	40	4	50	0.6
VASN32-4-48D	SMVN4-6	1.1	32	32	48	4	50	0.6
VASN32-4-56D	SMVN4-7	1.5	32	32	56	4	50	1.0
VASN32-4-64D	SMVN4-8	1.5	32	32	64	4	50	1.0
VASN32-4-72D	SMVN4-9	2.2	32	32	72	4	50	1.0
VASN32-4-81D	SMVN4-10	2.2	32	32	81	4	50	1.6
VASN32-4-88D	SMVN4-11	2.2	32	32	88	4	50	1.6
VASN32-4-95D	SMVN4-12	2.2	32	32	95	4	50	1.6
VASN32-4-103D	SMVN4-13	3	32	32	103	4	50	1.6
VASN32-4-112D	SMVN4-14	3	32	32	112	4	50	1.6
VASN32-4-120D	SMVN4-15	3	32	32	120	4	50	1.6
VASN32-4-129D	SMVN4-16	3	32	32	129	4	50	1.6
VASN32-4-137D	SMVN4-17	4	32	32	137	4	50	2.5
VASN32-4-145D	SMVN4-18	4	32	32	145	4	50	2.5
VASN32-4-153D	SMVN4-19	4	32	32	153	4	50	2.5
VASN32-4-161D	SMVN4-20	4	32	32	161	4	50	2.5
VASN32-4-169D	SMVN4-21	4	32	32	169	4	50	2.5
VASN32-4-178D	SMVN4-22	4	32	32	178	4	50	2.5
VASS(N)40-8-18D	SMV(N)8-2	0.75	40	40	18	8	50	0.6
VASS(N)40-8-28D	SMV(N)8-3	1.1	40	40	28	8	50	0.6
VASS(N)40-8-37D	SMV(N)8-4	1.5	40	40	37	8	50	0.6
VASS(N)40-8-46D	SMV(N)8-5	2.2	40	40	46	8	50	0.6
VASS(N)40-8-55D	SMV(N)8-6	2.2	40	40	55	8	50	1.0
VASS(N)40-8-64D	SMV(N)8-7	3	40	40	64	8	50	1.0
VASS(N)40-8-74D	SMV(N)8-8	3	40	40	74	8	50	1.0



性能参数及尺寸表 Performance parameters & dimension

配SMV(N)立式多级离心泵 With SMV(N) vertical multi-stage centrifugal pump

一用一备 One in service one standby

机组型号 Type	泵浦型号 Pump type	单泵功率 Motor power (kW)	入口口径 In discharge (mm)	出口口径 Out discharge (mm)	扬程 Head (m)	流量 Capacity (m ³ /h)	压力罐 Pressure tank	
							总容积 Volume (L)	压力 Pressure (MPa)
VASS(N)40-8-83D	SMV(N)8-9	4	40	40	83	8	50	1.6
VASS(N)40-8-92D	SMV(N)8-10	4	40	40	92	8	50	1.6
VASS(N)40-8-101D	SMV(N)8-11	4	40	40	101	8	50	1.6
VASS(N)40-8-110D	SMV(N)8-12	4	40	40	110	8	50	1.6
VASS(N)40-8-119D	SMV(N)8-13	5.5	40	40	119	8	50	1.6
VASS(N)40-8-129D	SMV(N)8-14	5.5	40	40	129	8	50	1.6
VASS(N)40-8-138D	SMV(N)8-15	5.5	40	40	138	8	50	2.5
VASS(N)40-8-147D	SMV(N)8-16	5.5	40	40	147	8	50	2.5
VASS(N)40-8-156D	SMV(N)8-17	7.5	40	40	156	8	50	2.5
VASS(N)40-8-166D	SMV(N)8-18	7.5	40	40	166	8	50	2.5
VASS(N)40-8-175D	SMV(N)8-19	7.5	40	40	175	8	50	2.5
VASS(N)40-8-185D	SMV(N)8-20	7.5	40	40	185	8	50	2.5
VASS(N)50-16-23D	SMV(N)16-2	2.2	50	50	23	16	50	0.6
VASS(N)50-16-35D	SMV(N)16-3	3	50	50	35	16	50	0.6
VASS(N)50-16-47D	SMV(N)16-4	4	50	50	47	16	50	0.6
VASS(N)50-16-59D	SMV(N)16-5	5.5	50	50	59	16	50	1.0
VASS(N)50-16-70D	SMV(N)16-6	5.5	50	50	70	16	50	1.0
VASS(N)50-16-82D	SMV(N)16-7	7.5	50	50	82	16	50	1.6
VASS(N)50-16-94D	SMV(N)16-8	7.5	50	50	94	16	50	1.6
VASS(N)50-16-106D	SMV(N)16-9	11	50	50	106	16	80	1.6
VASS(N)50-16-118D	SMV(N)16-10	11	50	50	118	16	80	1.6
VASS(N)50-16-129D	SMV(N)16-11	11	50	50	129	16	80	1.6
VASS(N)50-16-141D	SMV(N)16-12	11	50	50	141	16	80	2.5
VASS(N)50-16-153D	SMV(N)16-13	15	50	50	153	16	80	2.5
VASS(N)50-16-165D	SMV(N)16-14	15	50	50	165	16	80	2.5
VASS(N)50-16-177D	SMV(N)16-15	15	50	50	177	16	80	2.5
VASS(N)50-16-189D	SMV(N)16-16	15	50	50	189	16	80	2.5
VASS(N)65-32-10D	SMV(N)32-1-1	1.5	65	65	10	32	50	0.6
VASS(N)65-32-13D	SMV(N)32-1	2.2	65	65	13	32	50	0.6
VASS(N)65-32-22D	SMV(N)32-2-2	3	65	65	22	32	50	0.6
VASS(N)65-32-28D	SMV(N)32-2	4	65	65	28	32	50	0.6
VASS(N)65-32-36D	SMV(N)32-3-2	5.5	65	65	36	32	100	0.6
VASS(N)65-32-42D	SMV(N)32-3	5.5	65	65	42	32	100	0.6
VASS(N)65-32-50D	SMV(N)32-4-2	7.5	65	65	50	32	100	1.0
VASS(N)65-32-56D	SMV(N)32-4	7.5	65	65	56	32	100	1.0
VASS(N)65-32-66D	SMV(N)32-5-2	11	65	65	66	32	100	1.0
VASS(N)65-32-72D	SMV(N)32-5	11	65	65	72	32	100	1.0
VASS(N)65-32-79D	SMV(N)32-6-2	11	65	65	79	32	100	1.0
VASS(N)65-32-86D	SMV(N)32-6	11	65	65	86	32	100	1.6
VASS(N)65-32-94D	SMV(N)32-7-2	15	65	65	94	32	100	1.6
VASS(N)65-32-102D	SMV(N)32-7	15	65	65	102	32	100	1.6
VASS(N)65-32-109D	SMV(N)32-8-2	15	65	65	109	32	100	1.6
VASS(N)65-32-115D	SMV(N)32-8	15	65	65	115	32	100	1.6
VASS(N)65-32-125D	SMV(N)32-9-2	18.5	65	65	125	32	100	1.6
VASS(N)65-32-132D	SMV(N)32-9	18.5	65	65	132	32	100	2.5
VASS(N)65-32-138D	SMV(N)32-10-2	18.5	65	65	138	32	100	2.5
VASS(N)65-32-145D	SMV(N)32-10	18.5	65	65	145	32	100	2.5
VASS(N)65-32-154D	SMV(N)32-11-2	22	65	65	154	32	100	2.5
VASS(N)65-32-161D	SMV(N)32-11	22	65	65	161	32	100	2.5
VASS(N)65-32-168D	SMV(N)32-12-2	22	65	65	168	32	100	2.5
VASS(N)65-32-176D	SMV(N)32-12	22	65	65	176	32	100	2.5
VASS(N)65-32-187D	SMV(N)32-13-2	30	65	65	187	32	200	2.5
VASS(N)65-32-193D	SMV(N)32-13	30	65	65	193	32	200	2.5



性能参数及尺寸表 Performance parameters & dimension

配SMV(N)立式多级离心泵 With SMV(N) vertical multi-sage centrifugal pump

一用一备 One in service one standby

机组型号 Type	泵浦型号 Pump type	单泵功率 Motor power (kW)	入口口径 In discharge (mm)	出口口径 Out discharge (mm)	扬程 Head (m)	流量 Capacity (m ³ /h)	压力罐 Pressure tank	
							总容积 Volume (L)	压力 Pressure (MPa)
VASS(N)65-32-202D	SMV(N)32-14-2	30	65	65	202	32	200	2.5
VASS(N)65-32-208D	SMV(N)32-14	30	65	65	208	32	200	2.5
VASS(N)80-45-16D	SMV(N)45-1-1	3	80	80	16	45	80	0.6
VASS(N)80-45-19D	SMV(N)45-1	4	80	80	19	45	80	0.6
VASS(N)80-45-31D	SMV(N)45-2-2	5.5	80	80	31	45	100	0.6
VASS(N)80-45-38D	SMV(N)45-2	7.5	80	80	38	45	100	0.6
VASS(N)80-45-52D	SMV(N)45-3-2	11	80	80	52	45	200	1.0
VASS(N)80-45-59D	SMV(N)45-3	11	80	80	59	45	200	1.0
VASS(N)80-45-72D	SMV(N)45-4-2	15	80	80	72	45	200	1.0
VASS(N)80-45-80D	SMV(N)45-4	15	80	80	80	45	200	1.6
VASS(N)80-45-93D	SMV(N)45-5-2	18.5	80	80	93	45	200	1.6
VASS(N)80-45-101D	SMV(N)45-5	18.5	80	80	101	45	200	1.6
VASS(N)80-45-114D	SMV(N)45-6-2	22	80	80	114	45	200	1.6
VASS(N)80-45-122D	SMV(N)45-6	22	80	80	122	45	200	1.6
VASS(N)80-45-136D	SMV(N)45-7-2	30	80	80	136	45	300	2.5
VASS(N)80-45-144D	SMV(N)45-7	30	80	80	144	45	300	2.5
VASS(N)80-45-156D	SMV(N)45-8-2	30	80	80	156	45	300	2.5
VASS(N)80-45-164D	SMV(N)45-8	30	80	80	164	45	300	2.5
VASS(N)80-45-176D	SMV(N)45-9-2	30	80	80	176	45	300	2.5
VASS(N)100-60-14D	SMV(N)64-1-1	4	100	100	14	60	100	0.6
VASS(N)100-60-22D	SMV(N)64-1	5.5	100	100	22	60	100	0.6
VASS(N)100-60-31D	SMV(N)64-2-2	7.5	100	100	31	60	100	0.6
VASS(N)100-60-39D	SMV(N)64-2-1	11	100	100	39	60	300	0.6
VASS(N)100-60-46D	SMV(N)64-2	11	100	100	46	60	300	0.6
VASS(N)100-60-55D	SMV(N)64-3-2	15	100	100	55	60	300	1.0
VASS(N)100-60-63D	SMV(N)64-3-1	15	100	100	63	60	300	1.0
VASS(N)100-60-71D	SMV(N)64-3	18.5	100	100	71	60	300	1.0
VASS(N)100-60-79D	SMV(N)64-4-2	18.5	100	100	79	60	300	1.0
VASS(N)100-60-88D	SMV(N)64-4-1	22	100	100	88	60	300	1.6
VASS(N)100-60-94D	SMV(N)64-4	22	100	100	94	60	300	1.6
VASS(N)100-60-106D	SMV(N)64-5-2	30	100	100	106	60	300	1.6
VASS(N)100-60-113D	SMV(N)64-5-1	30	100	100	113	60	300	1.6
VASS(N)100-60-120D	SMV(N)64-5	30	100	100	120	60	300	1.6
VASS(N)100-60-129D	SMV(N)64-6-2	30	100	100	129	60	300	1.6



性能参数及尺寸表 Performance parameters & dimension

配SMV(N)立式多级离心泵 With SMV(N) vertical multi-stage centrifugal pump

二台同时 Two in service

机组型号 Type	泵浦型号 Pump type	单泵功率 Motor power (kW)	入口口径 In discharge (mm)	出口口径 Out discharge (mm)	扬程 Head (m)	流量 Capacity (m ³ /h)	压力罐 Pressure tank	
							总容积 Volume (L)	压力 Pressure (MPa)
VASN32-2-15W	SMVN2-2	0.37	32	32	15	3.4	50	0.6
VASN32-2-22W	SMVN2-3	0.37	32	32	22	3.4	50	0.6
VASN32-2-30W	SMVN2-4	0.55	32	32	30	3.4	50	0.6
VASN32-2-37W	SMVN2-5	0.55	32	32	37	3.4	50	0.6
VASN32-2-45W	SMVN2-6	0.75	32	32	45	3.4	50	0.6
VASN32-2-52W	SMVN2-7	0.75	32	32	52	3.4	50	1.0
VASN32-2-59W	SMVN2-8	1.1	32	32	59	3.4	50	1.0
VASN32-2-67W	SMVN2-9	1.1	32	32	67	3.4	50	1.0
VASN32-2-74W	SMVN2-10	1.1	32	32	74	3.4	50	1.0
VASN32-2-82W	SMVN2-11	1.1	32	32	82	3.4	50	1.6
VASN32-2-90W	SMVN2-12	1.5	32	32	90	3.4	50	1.6
VASN32-2-98W	SMVN2-13	1.5	32	32	98	3.4	50	1.6
VASN32-2-105W	SMVN2-14	1.5	32	32	105	3.4	50	1.6
VASN32-2-112W	SMVN2-15	1.5	32	32	112	3.4	50	1.6
VASN32-2-120W	SMVN2-16	2.2	32	32	120	3.4	50	1.6
VASN32-2-128W	SMVN2-17	2.2	32	32	128	3.4	50	1.6
VASN32-2-136W	SMVN2-18	2.2	32	32	136	3.4	50	2.5
VASN32-2-143W	SMVN2-19	2.2	32	32	143	3.4	50	2.5
VASN32-2-150W	SMVN2-20	2.2	32	32	150	3.4	50	2.5
VASN32-2-157W	SMVN2-21	2.2	32	32	157	3.4	50	2.5
VASN32-2-165W	SMVN2-22	2.2	32	32	165	3.4	50	2.5
VASN32-2-173W	SMVN2-23	3	32	32	173	3.4	50	2.5
VASN32-2-181W	SMVN2-24	3	32	32	181	3.4	50	2.5
VASN32-2-189W	SMVN2-25	3	32	32	189	3.4	50	2.5
VASN32-2-198W	SMVN2-26	3	32	32	198	3.4	50	2.5
VASN50-4-15W	SMVN4-2	0.37	50	50	15	6.8	50	0.6
VASN50-4-24W	SMVN4-3	0.55	50	50	24	6.8	50	0.6
VASN50-4-32W	SMVN4-4	0.75	50	50	32	6.8	50	0.6
VASN50-4-40W	SMVN4-5	1.1	50	50	40	6.8	50	0.6
VASN50-4-48W	SMVN4-6	1.1	50	50	48	6.8	50	0.6
VASN50-4-56W	SMVN4-7	1.5	50	50	56	6.8	50	1.0
VASN50-4-64W	SMVN4-8	1.5	50	50	64	6.8	50	1.0
VASN50-4-72W	SMVN4-9	2.2	50	50	72	6.8	50	1.0
VASN50-4-81W	SMVN4-10	2.2	50	50	81	6.8	50	1.6
VASN50-4-88W	SMVN4-11	2.2	50	50	88	6.8	50	1.6
VASN50-4-95W	SMVN4-12	2.2	50	50	95	6.8	50	1.6
VASN50-4-103W	SMVN4-13	3	50	50	103	6.8	50	1.6
VASN50-4-112W	SMVN4-14	3	50	50	112	6.8	50	1.6
VASN50-4-120W	SMVN4-15	3	50	50	120	6.8	50	1.6
VASN50-4-129W	SMVN4-16	3	50	50	129	6.8	50	1.6
VASN50-4-137W	SMVN4-17	4	50	50	137	6.8	50	2.5
VASN50-4-145W	SMVN4-18	4	50	50	145	6.8	50	2.5
VASN50-4-153W	SMVN4-19	4	50	50	153	6.8	50	2.5
VASN50-4-161W	SMVN4-20	4	50	50	161	6.8	50	2.5
VASN50-4-169W	SMVN4-21	4	50	50	169	6.8	50	2.5
VASN50-4-178W	SMVN4-22	4	50	50	178	6.8	50	2.5
VASS(N)65-8-18W	SMV(N)8-2	0.75	65	65	18	13.6	50	0.6
VASS(N)65-8-28W	SMV(N)8-3	1.1	65	65	28	13.6	50	0.6
VASS(N)65-8-37W	SMV(N)8-4	1.5	65	65	37	13.6	50	0.6
VASS(N)65-8-46W	SMV(N)8-5	2.2	65	65	46	13.6	50	0.6
VASS(N)65-8-55W	SMV(N)8-6	2.2	65	65	55	13.6	50	1.0
VASS(N)65-8-64W	SMV(N)8-7	3	65	65	64	13.6	50	1.0
VASS(N)65-8-74W	SMV(N)8-8	3	65	65	74	13.6	50	1.0



性能参数及尺寸表 Performance parameters & dimension

配SMV(N)立式多级离心泵 With SMV(N) vertical multi-stage centrifugal pump

二台同时 Two in service

机组型号 Type	泵浦型号 Pump type	单泵功率 Motor power (kW)	入口口径 In discharge (mm)	出口口径 Out discharge (mm)	扬程 Head (m)	流量 Capacity (m ³ /h)	压力罐 Pressure tank	
							总容积 Volume (L)	压力 Pressure (MPa)
VASS(N)65-8-83W	SMV(N)8-9	4	65	65	83	13.6	50	1.6
VASS(N)65-8-92W	SMV(N)8-10	4	65	65	92	13.6	50	1.6
VASS(N)65-8-101W	SMV(N)8-11	4	65	65	101	13.6	50	1.6
VASS(N)65-8-110W	SMV(N)8-12	4	65	65	110	13.6	50	1.6
VASS(N)65-8-119W	SMV(N)8-13	5.5	65	65	119	13.6	50	1.6
VASS(N)65-8-129W	SMV(N)8-14	5.5	65	65	129	13.6	50	1.6
VASS(N)65-8-138W	SMV(N)8-15	5.5	65	65	138	13.6	50	2.5
VASS(N)65-8-147W	SMV(N)8-16	5.5	65	65	147	13.6	50	2.5
VASS(N)65-8-156W	SMV(N)8-17	7.5	65	65	156	13.6	50	2.5
VASS(N)65-8-166W	SMV(N)8-18	7.5	65	65	166	13.6	50	2.5
VASS(N)65-8-175W	SMV(N)8-19	7.5	65	65	175	13.6	50	2.5
VASS(N)65-8-185W	SMV(N)8-20	7.5	65	65	185	13.6	50	2.5
VASS(N)80-16-23W	SMV(N)16-2	2.2	80	80	23	27.2	50	0.6
VASS(N)80-16-35W	SMV(N)16-3	3	80	80	35	27.2	50	0.6
VASS(N)80-16-47W	SMV(N)16-4	4	80	80	47	27.2	50	0.6
VASS(N)80-16-59W	SMV(N)16-5	5.5	80	80	59	27.2	80	1.0
VASS(N)80-16-70W	SMV(N)16-6	5.5	80	80	70	27.2	80	1.0
VASS(N)80-16-82W	SMV(N)16-7	7.5	80	80	82	27.2	80	1.6
VASS(N)80-16-94W	SMV(N)16-8	7.5	80	80	94	27.2	80	1.6
VASS(N)80-16-106W	SMV(N)16-9	11	80	80	106	27.2	100	1.6
VASS(N)80-16-118W	SMV(N)16-10	11	80	80	118	27.2	100	1.6
VASS(N)80-16-129W	SMV(N)16-11	11	80	80	129	27.2	100	1.6
VASS(N)80-16-141W	SMV(N)16-12	11	80	80	141	27.2	100	2.5
VASS(N)80-16-153W	SMV(N)16-13	15	80	80	153	27.2	100	2.5
VASS(N)80-16-165W	SMV(N)16-14	15	80	80	165	27.2	100	2.5
VASS(N)80-16-177W	SMV(N)16-15	15	80	80	177	27.2	100	2.5
VASS(N)80-16-189W	SMV(N)16-16	15	80	80	189	27.2	100	2.5
VASS(N)100-32-10W	SMV(N)32-1-1	1.5	100	100	10	54.4	100	0.6
VASS(N)100-32-13W	SMV(N)32-1	2.2	100	100	13	54.4	100	0.6
VASS(N)100-32-22W	SMV(N)32-2-2	3	100	100	22	54.4	100	0.6
VASS(N)100-32-28W	SMV(N)32-2	4	100	100	28	54.4	100	0.6
VASS(N)100-32-36W	SMV(N)32-3-2	5.5	100	100	36	54.4	100	0.6
VASS(N)100-32-42W	SMV(N)32-3	5.5	100	100	42	54.4	100	0.6
VASS(N)100-32-50W	SMV(N)32-4-2	7.5	100	100	50	54.4	100	1.0
VASS(N)100-32-56W	SMV(N)32-4	7.5	100	100	56	54.4	100	1.0
VASS(N)100-32-66W	SMV(N)32-5-2	11	100	100	66	54.4	200	1.0
VASS(N)100-32-72W	SMV(N)32-5	11	100	100	72	54.4	200	1.0
VASS(N)100-32-79W	SMV(N)32-6-2	11	100	100	79	54.4	200	1.0
VASS(N)100-32-86W	SMV(N)32-6	11	100	100	86	54.4	200	1.6
VASS(N)100-32-94W	SMV(N)32-7-2	15	100	100	94	54.4	200	1.6
VASS(N)100-32-102W	SMV(N)32-7	15	100	100	102	54.4	200	1.6
VASS(N)100-32-109W	SMV(N)32-8-2	15	100	100	109	54.4	200	1.6
VASS(N)100-32-115W	SMV(N)32-8	15	100	100	115	54.4	200	1.6
VASS(N)100-32-125W	SMV(N)32-9-2	18.5	100	100	125	54.4	200	1.6
VASS(N)100-32-132W	SMV(N)32-9	18.5	100	100	132	54.4	200	2.5
VASS(N)100-32-138W	SMV(N)32-10-2	18.5	100	100	138	54.4	200	2.5
VASS(N)100-32-145W	SMV(N)32-10	18.5	100	100	145	54.4	200	2.5
VASS(N)100-32-154W	SMV(N)32-11-2	22	100	100	154	54.4	200	2.5
VASS(N)100-32-161W	SMV(N)32-11	22	100	100	161	54.4	200	2.5
VASS(N)100-32-168W	SMV(N)32-12-2	22	100	100	168	54.4	200	2.5
VASS(N)100-32-176W	SMV(N)32-12	22	100	100	176	54.4	200	2.5
VASS(N)100-32-187W	SMV(N)32-13-2	30	100	100	187	54.4	300	2.5
VASS(N)100-32-193W	SMV(N)32-13	30	100	100	193	54.4	300	2.5



性能参数及尺寸表 Performance parameters & dimension

配SMV(N)立式多级离心泵 With SMV(N) vertical multi-stage centrifugal pump

二台同时 Two in service

机组型号 Type	泵浦型号 Pump type	单泵功率 Motor power (kW)	入口口径 In discharge (mm)	出口口径 Out discharge (mm)	扬程 Head (m)	流量 Capacity (m ³ /h)	压力罐 Pressure tank	
							总容积 Volume (L)	压力 Pressure (MPa)
VASS(N)100-32-202W	SMV(N)32-14-2	30	100	100	202	54.4	300	2.5
VASS(N)100-32-208W	SMV(N)32-14	30	100	100	208	54.4	300	2.5
VASS(N)125-45-16W	SMV(N)45-1-1	3	125	125	16	76.5	100	0.6
VASS(N)125-45-19W	SMV(N)45-1	4	125	125	19	76.5	100	0.6
VASS(N)125-45-31W	SMV(N)45-2-2	5.5	125	125	31	76.5	200	0.6
VASS(N)125-45-38W	SMV(N)45-2	7.5	125	125	38	76.5	200	0.6
VASS(N)125-45-52W	SMV(N)45-3-2	11	125	125	52	76.5	300	1.0
VASS(N)125-45-59W	SMV(N)45-3	11	125	125	59	76.5	300	1.0
VASS(N)125-45-72W	SMV(N)45-4-2	15	125	125	72	76.5	300	1.0
VASS(N)125-45-80W	SMV(N)45-4	15	125	125	80	76.5	300	1.6
VASS(N)125-45-93W	SMV(N)45-5-2	18.5	125	125	93	76.5	300	1.6
VASS(N)125-45-101W	SMV(N)45-5	18.5	125	125	101	76.5	300	1.6
VASS(N)125-45-114W	SMV(N)45-6-2	22	125	125	114	76.5	300	1.6
VASS(N)125-45-122W	SMV(N)45-6	22	125	125	122	76.5	300	1.6
VASS(N)125-45-136W	SMV(N)45-7-2	30	125	125	136	76.5	300	2.5
VASS(N)125-45-144W	SMV(N)45-7	30	125	125	144	76.5	300	2.5
VASS(N)125-45-156W	SMV(N)45-8-2	30	125	125	156	76.5	300	2.5
VASS(N)125-45-164W	SMV(N)45-8	30	125	125	164	76.5	300	2.5
VASS(N)125-45-176W	SMV(N)45-9-2	30	125	125	176	76.5	300	2.5
VASS(N)150-60-14W	SMV(N)64-1-1	4	150	150	14	102	200	0.6
VASS(N)150-60-22W	SMV(N)64-1	5.5	150	150	22	102	300	0.6
VASS(N)150-60-31W	SMV(N)64-2-2	7.5	150	150	31	102	300	0.6
VASS(N)150-60-39W	SMV(N)64-2-1	11	150	150	39	102	300	0.6
VASS(N)150-60-46W	SMV(N)64-2	11	150	150	46	102	300	0.6
VASS(N)150-60-55W	SMV(N)64-3-2	15	150	150	55	102	300	1.0
VASS(N)150-60-63W	SMV(N)64-3-1	15	150	150	63	102	300	1.0
VASS(N)150-60-71W	SMV(N)64-3	18.5	150	150	71	102	300	1.0
VASS(N)150-60-79W	SMV(N)64-4-2	18.5	150	150	79	102	300	1.0
VASS(N)150-60-88W	SMV(N)64-4-1	22	150	150	88	102	300	1.6
VASS(N)150-60-94W	SMV(N)64-4	22	150	150	94	102	300	1.6
VASS(N)150-60-106W	SMV(N)64-5-2	30	150	150	106	102	300	1.6
VASS(N)150-60-113W	SMV(N)64-5-1	30	150	150	113	102	300	1.6
VASS(N)150-60-120W	SMV(N)64-5	30	150	150	120	102	300	1.6
VASS(N)150-60-129W	SMV(N)64-6-2	30	150	150	129	102	300	1.6



性能参数及尺寸表 Performance parameters & dimension

配SMV(N)立式多级离心泵 With SMV(N) vertical multi-stage centrifugal pump

二用一备 Two in service one standby

机组型号 Type	泵浦型号 Pump type	单泵功率 Motor power (kW)	入口口径 In discharge (mm)	出口口径 Out discharge (mm)	扬程 Head (m)	流量 Capacity (m ³ /h)	压力罐 Pressure tank	
							总容积 Volume (L)	压力 Pressure (MPa)
VASN32-2-15D/3	SMVN2-2	0.37	32	32	15	3.4	50	0.6
VASN32-2-22D/3	SMVN2-3	0.37	32	32	22	3.4	50	0.6
VASN32-2-30D/3	SMVN2-4	0.55	32	32	30	3.4	50	0.6
VASN32-2-37D/3	SMVN2-5	0.55	32	32	37	3.4	50	0.6
VASN32-2-45D/3	SMVN2-6	0.75	32	32	45	3.4	50	0.6
VASN32-2-52D/3	SMVN2-7	0.75	32	32	52	3.4	50	1.0
VASN32-2-59D/3	SMVN2-8	1.1	32	32	59	3.4	50	1.0
VASN32-2-67D/3	SMVN2-9	1.1	32	32	67	3.4	50	1.0
VASN32-2-74D/3	SMVN2-10	1.1	32	32	74	3.4	50	1.0
VASN32-2-82D/3	SMVN2-11	1.1	32	32	82	3.4	50	1.6
VASN32-2-90D/3	SMVN2-12	1.5	32	32	90	3.4	50	1.6
VASN32-2-98D/3	SMVN2-13	1.5	32	32	98	3.4	50	1.6
VASN32-2-105D/3	SMVN2-14	1.5	32	32	105	3.4	50	1.6
VASN32-2-112D/3	SMVN2-15	1.5	32	32	112	3.4	50	1.6
VASN32-2-120D/3	SMVN2-16	2.2	32	32	120	3.4	50	1.6
VASN32-2-128D/3	SMVN2-17	2.2	32	32	128	3.4	50	1.6
VASN32-2-136D/3	SMVN2-18	2.2	32	32	136	3.4	50	2.5
VASN32-2-143D/3	SMVN2-19	2.2	32	32	143	3.4	50	2.5
VASN32-2-150D/3	SMVN2-20	2.2	32	32	150	3.4	50	2.5
VASN32-2-157D/3	SMVN2-21	2.2	32	32	157	3.4	50	2.5
VASN32-2-165D/3	SMVN2-22	2.2	32	32	165	3.4	50	2.5
VASN32-2-173D/3	SMVN2-23	3	32	32	173	3.4	50	2.5
VASN32-2-181D/3	SMVN2-24	3	32	32	181	3.4	50	2.5
VASN32-2-189D/3	SMVN2-25	3	32	32	189	3.4	50	2.5
VASN32-2-198D/3	SMVN2-26	3	32	32	198	3.4	50	2.5
VASN50-4-15D/3	SMVN4-2	0.37	50	50	15	6.8	50	0.6
VASN50-4-24D/3	SMVN4-3	0.55	50	50	24	6.8	50	0.6
VASN50-4-32D/3	SMVN4-4	0.75	50	50	32	6.8	50	0.6
VASN50-4-40D/3	SMVN4-5	1.1	50	50	40	6.8	50	0.6
VASN50-4-48D/3	SMVN4-6	1.1	50	50	48	6.8	50	0.6
VASN50-4-56D/3	SMVN4-7	1.5	50	50	56	6.8	50	1.0
VASN50-4-64D/3	SMVN4-8	1.5	50	50	64	6.8	50	1.0
VASN50-4-72D/3	SMVN4-9	2.2	50	50	72	6.8	50	1.0
VASN50-4-81D/3	SMVN4-10	2.2	50	50	81	6.8	50	1.6
VASN50-4-88D/3	SMVN4-11	2.2	50	50	88	6.8	50	1.6
VASN50-4-95D/3	SMVN4-12	2.2	50	50	95	6.8	50	1.6
VASN50-4-103D/3	SMVN4-13	3	50	50	103	6.8	50	1.6
VASN50-4-112D/3	SMVN4-14	3	50	50	112	6.8	50	1.6
VASN50-4-120D/3	SMVN4-15	3	50	50	120	6.8	50	1.6
VASN50-4-129D/3	SMVN4-16	3	50	50	129	6.8	50	1.6
VASN50-4-137D/3	SMVN4-17	4	50	50	137	6.8	50	2.5
VASN50-4-145D/3	SMVN4-18	4	50	50	145	6.8	50	2.5
VASN50-4-153D/3	SMVN4-19	4	50	50	153	6.8	50	2.5
VASN50-4-161D/3	SMVN4-20	4	50	50	161	6.8	50	2.5
VASN50-4-169D/3	SMVN4-21	4	50	50	169	6.8	50	2.5
VASN50-4-178D/3	SMVN4-22	4	50	50	178	6.8	50	2.5
VASS(N)65-8-18D/3	SMV(N)8-2	0.75	65	65	18	13.6	50	0.6
VASS(N)65-8-28D/3	SMV(N)8-3	1.1	65	65	28	13.6	50	0.6
VASS(N)65-8-37D/3	SMV(N)8-4	1.5	65	65	37	13.6	50	0.6
VASS(N)65-8-46D/3	SMV(N)8-5	2.2	65	65	46	13.6	50	0.6
VASS(N)65-8-55D/3	SMV(N)8-6	2.2	65	65	55	13.6	50	1.0
VASS(N)65-8-64D/3	SMV(N)8-7	3	65	65	64	13.6	50	1.0
VASS(N)65-8-74D/3	SMV(N)8-8	3	65	65	74	13.6	50	1.0



性能参数及尺寸表 Performance parameters & dimension

配SMV(N)立式多级离心泵 With SMV(N) vertical multi-stage centrifugal pump

二用一备 Two in service one standby

机组型号 Type	泵浦型号 Pump type	单泵功率 Motor power (kW)	入口口径 In discharge (mm)	出口口径 Out discharge (mm)	扬程 Head (m)	流量 Capacity (m ³ /h)	压力罐 Pressure tank	
							总容积 Volume (L)	压力 Pressure (MPa)
VASS(N)65-8-83D/3	SMV(N)8-9	4	65	65	83	13.6	50	1.6
VASS(N)65-8-92D/3	SMV(N)8-10	4	65	65	92	13.6	50	1.6
VASS(N)65-8-101D/3	SMV(N)8-11	4	65	65	101	13.6	50	1.6
VASS(N)65-8-110D/3	SMV(N)8-12	4	65	65	110	13.6	50	1.6
VASS(N)65-8-119D/3	SMV(N)8-13	5.5	65	65	119	13.6	50	1.6
VASS(N)65-8-129D/3	SMV(N)8-14	5.5	65	65	129	13.6	50	1.6
VASS(N)65-8-138D/3	SMV(N)8-15	5.5	65	65	138	13.6	50	2.5
VASS(N)65-8-147D/3	SMV(N)8-16	5.5	65	65	147	13.6	50	2.5
VASS(N)65-8-156D/3	SMV(N)8-17	7.5	65	65	156	13.6	50	2.5
VASS(N)65-8-166D/3	SMV(N)8-18	7.5	65	65	166	13.6	50	2.5
VASS(N)65-8-175D/3	SMV(N)8-19	7.5	65	65	175	13.6	50	2.5
VASS(N)65-8-185D/3	SMV(N)8-20	7.5	65	65	185	13.6	50	2.5
VASS(N)80-16-23D/3	SMV(N)16-2	2.2	80	80	23	27.2	50	0.6
VASS(N)80-16-35D/3	SMV(N)16-3	3	80	80	35	27.2	50	0.6
VASS(N)80-16-47D/3	SMV(N)16-4	4	80	80	47	27.2	50	0.6
VASS(N)80-16-59D/3	SMV(N)16-5	5.5	80	80	59	27.2	80	1.0
VASS(N)80-16-70D/3	SMV(N)16-6	5.5	80	80	70	27.2	80	1.0
VASS(N)80-16-82D/3	SMV(N)16-7	7.5	80	80	82	27.2	80	1.6
VASS(N)80-16-94D/3	SMV(N)16-8	7.5	80	80	94	27.2	80	1.6
VASS(N)80-16-106D/3	SMV(N)16-9	11	80	80	106	27.2	100	1.6
VASS(N)80-16-118D/3	SMV(N)16-10	11	80	80	118	27.2	100	1.6
VASS(N)80-16-129D/3	SMV(N)16-11	11	80	80	129	27.2	100	1.6
VASS(N)80-16-141D/3	SMV(N)16-12	11	80	80	141	27.2	100	2.5
VASS(N)80-16-153D/3	SMV(N)16-13	15	80	80	153	27.2	100	2.5
VASS(N)80-16-165D/3	SMV(N)16-14	15	80	80	165	27.2	100	2.5
VASS(N)80-16-177D/3	SMV(N)16-15	15	80	80	177	27.2	100	2.5
VASS(N)80-16-189D/3	SMV(N)16-16	15	80	80	189	27.2	100	2.5
VASS(N)100-32-10D/3	SMV(N)32-1-1	1.5	100	100	10	54.4	100	0.6
VASS(N)100-32-13D/3	SMV(N)32-1	2.2	100	100	13	54.4	100	0.6
VASS(N)100-32-22D/3	SMV(N)32-2-2	3	100	100	22	54.4	100	0.6
VASS(N)100-32-28D/3	SMV(N)32-2	4	100	100	28	54.4	100	0.6
VASS(N)100-32-36D/3	SMV(N)32-3-2	5.5	100	100	36	54.4	100	0.6
VASS(N)100-32-42D/3	SMV(N)32-3	5.5	100	100	42	54.4	100	0.6
VASS(N)100-32-50D/3	SMV(N)32-4-2	7.5	100	100	50	54.4	100	1.0
VASS(N)100-32-56D/3	SMV(N)32-4	7.5	100	100	56	54.4	100	1.0
VASS(N)100-32-66D/3	SMV(N)32-5-2	11	100	100	66	54.4	200	1.0
VASS(N)100-32-72D/3	SMV(N)32-5	11	100	100	72	54.4	200	1.0
VASS(N)100-32-79D/3	SMV(N)32-6-2	11	100	100	79	54.4	200	1.0
VASS(N)100-32-86D/3	SMV(N)32-6	11	100	100	86	54.4	200	1.6
VASS(N)100-32-94D/3	SMV(N)32-7-2	15	100	100	94	54.4	200	1.6
VASS(N)100-32-102D/3	SMV(N)32-7	15	100	100	102	54.4	200	1.6
VASS(N)100-32-109D/3	SMV(N)32-8-2	15	100	100	109	54.4	200	1.6
VASS(N)100-32-115D/3	SMV(N)32-8	15	100	100	115	54.4	200	1.6
VASS(N)100-32-125D/3	SMV(N)32-9-2	18.5	100	100	125	54.4	200	1.6
VASS(N)100-32-132D/3	SMV(N)32-9	18.5	100	100	132	54.4	200	2.5
VASS(N)100-32-138D/3	SMV(N)32-10-2	18.5	100	100	138	54.4	200	2.5
VASS(N)100-32-145D/3	SMV(N)32-10	18.5	100	100	145	54.4	200	2.5
VASS(N)100-32-154D/3	SMV(N)32-11-2	22	100	100	154	54.4	200	2.5
VASS(N)100-32-161D/3	SMV(N)32-11	22	100	100	161	54.4	200	2.5
VASS(N)100-32-168D/3	SMV(N)32-12-2	22	100	100	168	54.4	200	2.5
VASS(N)100-32-176D/3	SMV(N)32-12	22	100	100	176	54.4	200	2.5
VASS(N)100-32-187D/3	SMV(N)32-13-2	30	100	100	187	54.4	300	2.5
VASS(N)100-32-193D/3	SMV(N)32-13	30	100	100	193	54.4	300	2.5



性能参数及尺寸表 Performance parameters & dimension

配SMV(N)立式多级离心泵 With SMV(N) vertical multi-stage centrifugal pump

二用一备 Two in service one standby

机组型号 Type	泵浦型号 Pump type	单泵功率 Motor power (kW)	入口口径 In discharge (mm)	出口口径 Out discharge (mm)	扬程 Head (m)	流量 Capacity (m ³ /h)	压力罐 Pressure tank	
							总容积 Volume (L)	压力 Pressure (MPa)
VASS(N)100-32-202D/3	SMV(N)32-14-2	30	100	100	202	54.4	300	2.5
VASS(N)100-32-208D/3	SMV(N)32-14	30	100	100	208	54.4	300	2.5
VASS(N)125-45-16D/3	SMV(N)45-1-1	3	125	125	16	76.5	100	0.6
VASS(N)125-45-19D/3	SMV(N)45-1	4	125	125	19	76.5	100	0.6
VASS(N)125-45-31D/3	SMV(N)45-2-2	5.5	125	125	31	76.5	200	0.6
VASS(N)125-45-38D/3	SMV(N)45-2	7.5	125	125	38	76.5	200	0.6
VASS(N)125-45-52D/3	SMV(N)45-3-2	11	125	125	52	76.5	300	1.0
VASS(N)125-45-59D/3	SMV(N)45-3	11	125	125	59	76.5	300	1.0
VASS(N)125-45-72D/3	SMV(N)45-4-2	15	125	125	72	76.5	300	1.0
VASS(N)125-45-80D/3	SMV(N)45-4	15	125	125	80	76.5	300	1.6
VASS(N)125-45-93D/3	SMV(N)45-5-2	18.5	125	125	93	76.5	300	1.6
VASS(N)125-45-101D/3	SMV(N)45-5	18.5	125	125	101	76.5	300	1.6
VASS(N)125-45-114D/3	SMV(N)45-6-2	22	125	125	114	76.5	300	1.6
VASS(N)125-45-122D/3	SMV(N)45-6	22	125	125	122	76.5	300	1.6
VASS(N)125-45-136D/3	SMV(N)45-7-2	30	125	125	136	76.5	300	2.5
VASS(N)125-45-144D/3	SMV(N)45-7	30	125	125	144	76.5	300	2.5
VASS(N)125-45-156D/3	SMV(N)45-8-2	30	125	125	156	76.5	300	2.5
VASS(N)125-45-164D/3	SMV(N)45-8	30	125	125	164	76.5	300	2.5
VASS(N)125-45-176D/3	SMV(N)45-9-2	30	125	125	176	76.5	300	2.5
VASS(N)150-60-14D/3	SMV(N)64-1-1	4	150	150	14	102	200	0.6
VASS(N)150-60-22D/3	SMV(N)64-1	5.5	150	150	22	102	300	0.6
VASS(N)150-60-31D/3	SMV(N)64-2-2	7.5	150	150	31	102	300	0.6
VASS(N)150-60-39D/3	SMV(N)64-2-1	11	150	150	39	102	300	0.6
VASS(N)150-60-46D/3	SMV(N)64-2	11	150	150	46	102	300	0.6
VASS(N)150-60-55D/3	SMV(N)64-3-2	15	150	150	55	102	300	1.0
VASS(N)150-60-63D/3	SMV(N)64-3-1	15	150	150	63	102	300	1.0
VASS(N)150-60-71D/3	SMV(N)64-3	18.5	150	150	71	102	300	1.0
VASS(N)150-60-79D/3	SMV(N)64-4-2	18.5	150	150	79	102	300	1.0
VASS(N)150-60-88D/3	SMV(N)64-4-1	22	150	150	88	102	300	1.6
VASS(N)150-60-94D/3	SMV(N)64-4	22	150	150	94	102	300	1.6
VASS(N)150-60-106D/3	SMV(N)64-5-2	30	150	150	106	102	300	1.6
VASS(N)150-60-113D/3	SMV(N)64-5-1	30	150	150	113	102	300	1.6
VASS(N)150-60-120D/3	SMV(N)64-5	30	150	150	120	102	300	1.6
VASS(N)150-60-129D/3	SMV(N)64-6-2	30	150	150	129	102	300	1.6



性能参数及尺寸表 Performance parameters & dimension

配SMV(N)立式多级离心泵 With SMV(N) vertical multi-stage centrifugal pump

三台同时 Three in service

机组型号 Type	泵浦型号 Pump type	单泵功率 Motor power (kW)	入口口径 In discharge (mm)	出口口径 Out discharge (mm)	扬程 Head (m)	流量 Capacity (m ³ /h)	压力罐 Pressure tank	
							总容积 Volume (L)	压力 Pressure (MPa)
VASN50-2-15W/3	SMVN2-2	0.37	50	50	15	5	50	0.6
VASN50-2-22W/3	SMVN2-3	0.37	50	50	22	5	50	0.6
VASN50-2-30W/3	SMVN2-4	0.55	50	50	30	5	50	0.6
VASN50-2-37W/3	SMVN2-5	0.55	50	50	37	5	50	0.6
VASN50-2-45W/3	SMVN2-6	0.75	50	50	45	5	50	0.6
VASN50-2-52W/3	SMVN2-7	0.75	50	50	52	5	50	1.0
VASN50-2-59W/3	SMVN2-8	1.1	50	50	59	5	50	1.0
VASN50-2-67W/3	SMVN2-9	1.1	50	50	67	5	50	1.0
VASN50-2-74W/3	SMVN2-10	1.1	50	50	74	5	50	1.0
VASN50-2-82W/3	SMVN2-11	1.1	50	50	82	5	50	1.6
VASN50-2-90W/3	SMVN2-12	1.5	50	50	90	5	50	1.6
VASN50-2-98W/3	SMVN2-13	1.5	50	50	98	5	50	1.6
VASN50-2-105W/3	SMVN2-14	1.5	50	50	105	5	50	1.6
VASN50-2-112W/3	SMVN2-15	1.5	50	50	112	5	50	1.6
VASN50-2-120W/3	SMVN2-16	2.2	50	50	120	5	50	1.6
VASN50-2-128W/3	SMVN2-17	2.2	50	50	128	5	50	1.6
VASN50-2-136W/3	SMVN2-18	2.2	50	50	136	5	50	2.5
VASN50-2-143W/3	SMVN2-19	2.2	50	50	143	5	50	2.5
VASN50-2-150W/3	SMVN2-20	2.2	50	50	150	5	50	2.5
VASN50-2-157W/3	SMVN2-21	2.2	50	50	157	5	50	2.5
VASN50-2-165W/3	SMVN2-22	2.2	50	50	165	5	50	2.5
VASN50-2-173W/3	SMVN2-23	3	50	50	173	5	50	2.5
VASN50-2-181W/3	SMVN2-24	3	50	50	181	5	50	2.5
VASN50-2-189W/3	SMVN2-25	3	50	50	189	5	50	2.5
VASN50-2-198W/3	SMVN2-26	3	50	50	198	5	50	2.5
VASN65-4-15W/3	SMVN4-2	0.37	65	65	15	10	50	0.6
VASN65-4-24W/3	SMVN4-3	0.55	65	65	24	10	50	0.6
VASN65-4-32W/3	SMVN4-4	0.75	65	65	32	10	50	0.6
VASN65-4-40W/3	SMVN4-5	1.1	65	65	40	10	50	0.6
VASN65-4-48W/3	SMVN4-6	1.1	65	65	48	10	50	0.6
VASN65-4-56W/3	SMVN4-7	1.5	65	65	56	10	50	1.0
VASN65-4-64W/3	SMVN4-8	1.5	65	65	64	10	50	1.0
VASN65-4-72W/3	SMVN4-9	2.2	65	65	72	10	50	1.0
VASN65-4-81W/3	SMVN4-10	2.2	65	65	81	10	50	1.6
VASN65-4-88W/3	SMVN4-11	2.2	65	65	88	10	50	1.6
VASN65-4-95W/3	SMVN4-12	2.2	65	65	95	10	50	1.6
VASN65-4-103W/3	SMVN4-13	3	65	65	103	10	50	1.6
VASN65-4-112W/3	SMVN4-14	3	65	65	112	10	50	1.6
VASN65-4-120W/3	SMVN4-15	3	65	65	120	10	50	1.6
VASN65-4-129W/3	SMVN4-16	3	65	65	129	10	50	1.6
VASN65-4-137W/3	SMVN4-17	4	65	65	137	10	50	2.5
VASN65-4-145W/3	SMVN4-18	4	65	65	145	10	50	2.5
VASN65-4-153W/3	SMVN4-19	4	65	65	153	10	50	2.5
VASN65-4-161W/3	SMVN4-20	4	65	65	161	10	50	2.5
VASN65-4-169W/3	SMVN4-21	4	65	65	169	10	50	2.5
VASN65-4-178W/3	SMVN4-22	4	65	65	178	10	50	2.5
VASS(N)80-8-18W/3	SMV(N)8-2	0.75	80	80	18	20	50	0.6
VASS(N)80-8-28W/3	SMV(N)8-3	1.1	80	80	28	20	50	0.6
VASS(N)80-8-37W/3	SMV(N)8-4	1.5	80	80	37	20	50	0.6
VASS(N)80-8-46W/3	SMV(N)8-5	2.2	80	80	46	20	50	0.6
VASS(N)80-8-55W/3	SMV(N)8-6	2.2	80	80	55	20	50	1.0
VASS(N)80-8-64W/3	SMV(N)8-7	3	80	80	64	20	50	1.0
VASS(N)80-8-74W/3	SMV(N)8-8	3	80	80	74	20	50	1.0



性能参数及尺寸表 Performance parameters & dimension

配SMV(N)立式多级离心泵 With SMV(N) vertical multi-stage centrifugal pump

三台同时 Three in service

机组型号 Type	泵浦型号 Pump type	单泵功率 Motor power (kW)	入口口径 In discharge (mm)	出口口径 Out discharge (mm)	扬程 Head (m)	流量 Capacity (m ³ /h)	压力罐 Pressure tank	
							总容积 Volume (L)	压力 Pressure (MPa)
VASS(N)80-8-83W/3	SMV(N)8-9	4	80	80	83	20	50	1.6
VASS(N)80-8-92W/3	SMV(N)8-10	4	80	80	92	20	50	1.6
VASS(N)80-8-101W/3	SMV(N)8-11	4	80	80	101	20	50	1.6
VASS(N)80-8-110W/3	SMV(N)8-12	4	80	80	110	20	50	1.6
VASS(N)80-8-119W/3	SMV(N)8-13	5.5	80	80	119	20	50	1.6
VASS(N)80-8-129W/3	SMV(N)8-14	5.5	80	80	129	20	50	1.6
VASS(N)80-8-138W/3	SMV(N)8-15	5.5	80	80	138	20	50	2.5
VASS(N)80-8-147W/3	SMV(N)8-16	5.5	80	80	147	20	50	2.5
VASS(N)80-8-156W/3	SMV(N)8-17	7.5	80	80	156	20	50	2.5
VASS(N)80-8-166W/3	SMV(N)8-18	7.5	80	80	166	20	50	2.5
VASS(N)80-8-175W/3	SMV(N)8-19	7.5	80	80	175	20	50	2.5
VASS(N)80-8-185W/3	SMV(N)8-20	7.5	80	80	185	20	50	2.5
VASS(N)100-16-23W/3	SMV(N)16-2	2.2	100	100	23	40	80	0.6
VASS(N)100-16-35W/3	SMV(N)16-3	3	100	100	35	40	80	0.6
VASS(N)100-16-47W/3	SMV(N)16-4	4	100	100	47	40	80	0.6
VASS(N)100-16-59W/3	SMV(N)16-5	5.5	100	100	59	40	100	1.0
VASS(N)100-16-70W/3	SMV(N)16-6	5.5	100	100	70	40	100	1.0
VASS(N)100-16-82W/3	SMV(N)16-7	7.5	100	100	82	40	100	1.6
VASS(N)100-16-94W/3	SMV(N)16-8	7.5	100	100	94	40	100	1.6
VASS(N)100-16-106W/3	SMV(N)16-9	11	100	100	106	40	200	1.6
VASS(N)100-16-118W/3	SMV(N)16-10	11	100	100	118	40	200	1.6
VASS(N)100-16-129W/3	SMV(N)16-11	11	100	100	129	40	200	1.6
VASS(N)100-16-141W/3	SMV(N)16-12	11	100	100	141	40	200	2.5
VASS(N)100-16-153W/3	SMV(N)16-13	15	100	100	153	40	200	2.5
VASS(N)100-16-165W/3	SMV(N)16-14	15	100	100	165	40	200	2.5
VASS(N)100-16-177W/3	SMV(N)16-15	15	100	100	177	40	200	2.5
VASS(N)100-16-189W/3	SMV(N)16-16	15	100	100	189	40	200	2.5
VASS(N)125-32-10W/3	SMV(N)32-1-1	1.5	125	125	10	80	100	0.6
VASS(N)125-32-13W/3	SMV(N)32-1	2.2	125	125	13	80	100	0.6
VASS(N)125-32-22W/3	SMV(N)32-2-2	3	125	125	22	80	100	0.6
VASS(N)125-32-28W/3	SMV(N)32-2	4	125	125	28	80	100	0.6
VASS(N)125-32-36W/3	SMV(N)32-3-2	5.5	125	125	36	80	200	0.6
VASS(N)125-32-42W/3	SMV(N)32-3	5.5	125	125	42	80	200	0.6
VASS(N)125-32-50W/3	SMV(N)32-4-2	7.5	125	125	50	80	200	1.0
VASS(N)125-32-56W/3	SMV(N)32-4	7.5	125	125	56	80	200	1.0
VASS(N)125-32-66W/3	SMV(N)32-5-2	11	125	125	66	80	300	1.0
VASS(N)125-32-72W/3	SMV(N)32-5	11	125	125	72	80	300	1.0
VASS(N)125-32-79W/3	SMV(N)32-6-2	11	125	125	79	80	300	1.0
VASS(N)125-32-86W/3	SMV(N)32-6	11	125	125	86	80	300	1.6
VASS(N)125-32-94W/3	SMV(N)32-7-2	15	125	125	94	80	300	1.6
VASS(N)125-32-102W/3	SMV(N)32-7	15	125	125	102	80	300	1.6
VASS(N)125-32-109W/3	SMV(N)32-8-2	15	125	125	109	80	300	1.6
VASS(N)125-32-115W/3	SMV(N)32-8	15	125	125	115	80	300	1.6
VASS(N)125-32-125W/3	SMV(N)32-9-2	18.5	125	125	125	80	300	1.6
VASS(N)125-32-132W/3	SMV(N)32-9	18.5	125	125	132	80	300	2.5
VASS(N)125-32-138W/3	SMV(N)32-10-2	18.5	125	125	138	80	300	2.5
VASS(N)125-32-145W/3	SMV(N)32-10	18.5	125	125	145	80	300	2.5
VASS(N)125-32-154W/3	SMV(N)32-11-2	22	125	125	154	80	300	2.5
VASS(N)125-32-161W/3	SMV(N)32-11	22	125	125	161	80	300	2.5
VASS(N)125-32-168W/3	SMV(N)32-12-2	22	125	125	168	80	300	2.5
VASS(N)125-32-176W/3	SMV(N)32-12	22	125	125	176	80	300	2.5
VASS(N)125-32-187W/3	SMV(N)32-13-2	30	125	125	187	80	300	2.5
VASS(N)125-32-193W/3	SMV(N)32-13	30	125	125	193	80	300	2.5



性能参数及尺寸表 Performance parameters & dimension

配SMV(N)立式多级离心泵 With SMV(N) vertical multi-stage centrifugal pump

三台同时 Three in service

机组型号 Type	泵浦型号 Pump type	单泵功率 Motor power (kW)	入口口径 In discharge (mm)	出口口径 Out discharge (mm)	扬程 Head (m)	流量 Capacity (m ³ /h)	压力罐 Pressure tank	
							总容积 Volume (L)	压力 Pressure (MPa)
VASS(N)125-32-202W/3	SMV(N)32-14-2	30	125	125	202	80	300	2.5
VASS(N)125-32-208W/3	SMV(N)32-14	30	125	125	208	80	300	2.5
VASS(N)150-45-16W/3	SMV(N)45-1-1	3	150	150	16	112	200	0.6
VASS(N)150-45-19W/3	SMV(N)45-1	4	150	150	19	112	200	0.6
VASS(N)150-45-31W/3	SMV(N)45-2-2	5.5	150	150	31	112	300	0.6
VASS(N)150-45-38W/3	SMV(N)45-2	7.5	150	150	38	112	300	0.6
VASS(N)150-45-52W/3	SMV(N)45-3-2	11	150	150	52	112	300	1.0
VASS(N)150-45-59W/3	SMV(N)45-3	11	150	150	59	112	300	1.0
VASS(N)150-45-72W/3	SMV(N)45-4-2	15	150	150	72	112	300	1.0
VASS(N)150-45-80W/3	SMV(N)45-4	15	150	150	80	112	300	1.6
VASS(N)150-45-93W/3	SMV(N)45-5-2	18.5	150	150	93	112	300	1.6
VASS(N)150-45-101W/3	SMV(N)45-5	18.5	150	150	101	112	300	1.6
VASS(N)150-45-114W/3	SMV(N)45-6-2	22	150	150	114	112	300	1.6
VASS(N)150-45-122W/3	SMV(N)45-6	22	150	150	122	112	300	1.6
VASS(N)150-45-136W/3	SMV(N)45-7-2	30	150	150	136	112	770	2.5
VASS(N)150-45-144W/3	SMV(N)45-7	30	150	150	144	112	770	2.5
VASS(N)150-45-156W/3	SMV(N)45-8-2	30	150	150	156	112	770	2.5
VASS(N)150-45-164W/3	SMV(N)45-8	30	150	150	164	112	770	2.5
VASS(N)150-45-176W/3	SMV(N)45-9-2	30	150	150	176	112	770	2.5
VASS(N)200-60-14W/3	SMV(N)64-1-1	4	200	200	14	150	300	0.6
VASS(N)200-60-22W/3	SMV(N)64-1	5.5	200	200	22	150	300	0.6
VASS(N)200-60-31W/3	SMV(N)64-2-2	7.5	200	200	31	150	300	0.6
VASS(N)200-60-39W/3	SMV(N)64-2-1	11	200	200	39	150	300	0.6
VASS(N)200-60-46W/3	SMV(N)64-2	11	200	200	46	150	300	0.6
VASS(N)200-60-55W/3	SMV(N)64-3-2	15	200	200	55	150	300	1.0
VASS(N)200-60-63W/3	SMV(N)64-3-1	15	200	200	63	150	300	1.0
VASS(N)200-60-71W/3	SMV(N)64-3	18.5	200	200	71	150	300	1.0
VASS(N)200-60-79W/3	SMV(N)64-4-2	18.5	200	200	79	150	300	1.0
VASS(N)200-60-88W/3	SMV(N)64-4-1	22	200	200	88	150	300	1.6
VASS(N)200-60-94W/3	SMV(N)64-4	22	200	200	94	150	300	1.6
VASS(N)200-60-106W/3	SMV(N)64-5-2	30	200	200	106	150	770	1.6
VASS(N)200-60-113W/3	SMV(N)64-5-1	30	200	200	113	150	770	1.6
VASS(N)200-60-120W/3	SMV(N)64-5	30	200	200	120	150	770	1.6
VASS(N)200-60-129W/3	SMV(N)64-6-2	30	200	200	129	150	770	1.6



欢迎索取以下产品型录



泵系列

- 潜水泵系列
- 陆上泵系列
- 特种泵系列
- 消防泵系列



搅拌推流系列

- 搅拌机系列
- 推流器系列



供氧曝气系列

- 曝气机系列
- 曝气盘系列
- 曝气管系列



风机系列

- 三叶罗茨鼓风机系列
- 增压罗茨鼓风机系列
- 沉水式风机系列



污泥处理设备 及其他

- 固液分离系列
- 泡药设备
- 输送设备



川源（中国）机械有限公司
GSD Industrial Co.,Ltd.

免费咨询电话

400-657-9066

本型录内容如有变更，恕不另行通知。
We reserve the right to change content without notice.

CY-G7

